

## Shower Screen Installation

We provide a comprehensive range of accessories produced to give architects and decorators complete freedom of design when using toughened glass in showers.

Designed and manufactured to the highest standard the EUROGLASS range of fittings provide a slim and neat appearance so that the glass remains the central feature.

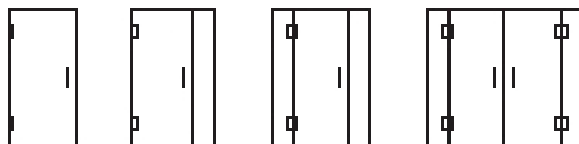
All hinges and handles are a combination of brass and stainless steel.

Available in the following finishes:

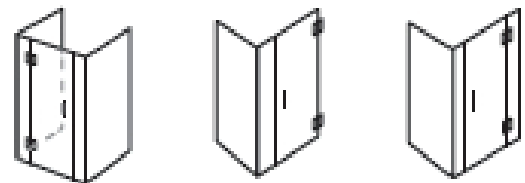
- Polished Stainless Steel
- Polished Chrome
- Satin Chrome
- Satin Stainless Steel
- Matte Black
- Special finishes upon request, lead times apply.

### TYPICAL SHOWER DESIGNS

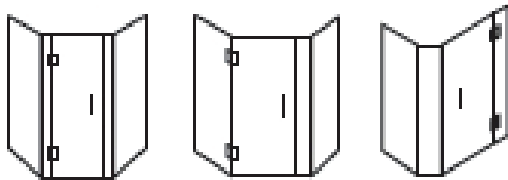
#### Inline Showers



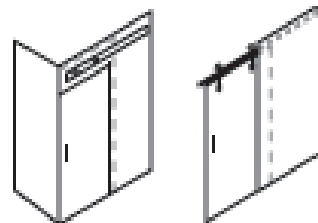
#### Square Showers



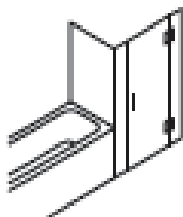
#### Quadrant Showers



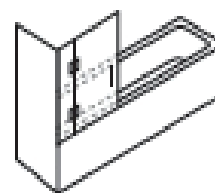
#### Sliding Showers



#### Bath-end Shower



#### Bi-fold Bath Screen



### GLASS

All glass used in frameless glass shower assemblies must be approved 8mm or 10mm toughened float safety glass.

### GLASS THICKNESS

10mm glass thickness is recommended in most assemblies, especially in glass to glass situations. 8mm glass thickness can be used when panels/doors are relatively narrow or especially when wall fixing (for door hanging) is subject.

## DOORS

All doors are standard double action opening both inwards and outwards. A single action stop may be provided if required.

Standard door widths are generally between 600mm to 700mm for wall hung doors and 550mm to 650mm for glass to glass doors.

Maximum recommended width/weight for two hinge doors:

- 8mm: 800mm width, 35kg (1.75m<sup>2</sup>)
- 10mm: 800mm width, 35kg (1.4m<sup>2</sup>) glass-to-glass
- 10mm: 800mm width, 37.5kg (1.50m<sup>2</sup>) wall hung

For doors outside either of the above maximums three hinges should be fitted. Standard door heights are generally between 1850mm and 2100mm.

## WALL FIXING

For doors hinged directly from the wall adequate stud fixing is required – generally either a double stud or an approx. 90mm width of timber fitted between noggins at hinge levels.

Where inadequate wall fixing is suspected, it is recommended that the door be hung from a glass side panel.

## SPECIAL BRACING REQUIREMENTS

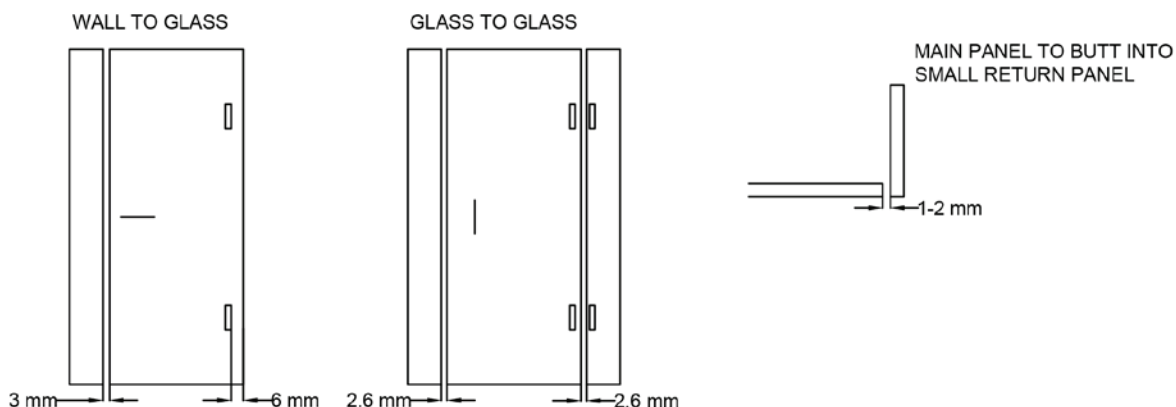
Head support is recommended (in the form of either a top channel or a glass over panel) for glass to glass assemblies as follows:

- Where the combined width of the door and side panel/s is hung from exceed 900mm
- On all quadrant and curved showers.

Where a side panel (fixed only to the base and wall) exceeds 900mm in width a return panel of minimum 150mm width would be required to stabilise the side panel.

## INSTALLATION DIMENSIONS

Recommended gap under door 6mm above the highest point of the upstand.



## MITRE JOINTS – 135°

Glass to glass panels – we recommend each panel has a 22.5° polished mitre edge to provide a quality finished look and prevent a visible ‘thick’ silicone joint.

**WATERPROOF**

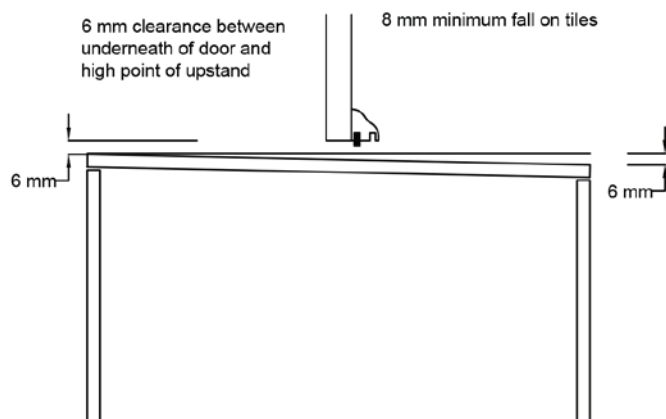
For wall hung doors it is recommended to hang the door from the wall on which the shower rose is fitted. It is not a good design to have the shower rose directly facing the door.

In a situation where there is a risk of water leaking through the gap between the back edge of the door and the wall it is recommended to use a glass to glass door design.

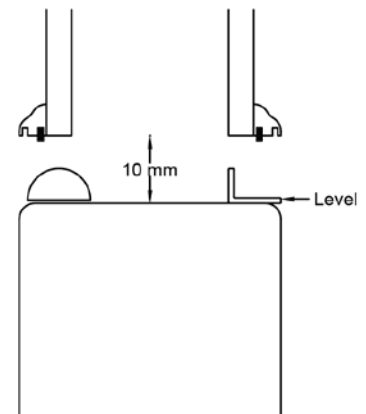
Suggestions to avoid leaking under the door:

1. It is recommended that our WS1 waterseal be fitted to the inside bottom edge of all doors:
  - ensure where possible that there is an adequate slope on the shower upstand
  - recommended minimum fall of 5mm
2. Our HR1 half round section (4.8mm high) AS1 angle section (6mm high) or AS18 angle section (18mm high – 22mm gap under door) fitted onto the base under the door can be used where there is a high risk of leaking
3. Position of shower door/panel line is generally centre of upstand but we recommend bringing this glass line towards the inside edge in cases where there is a greater risk of leakage, ie. rose pointing at door, no fall on upstand, special body jets etc.

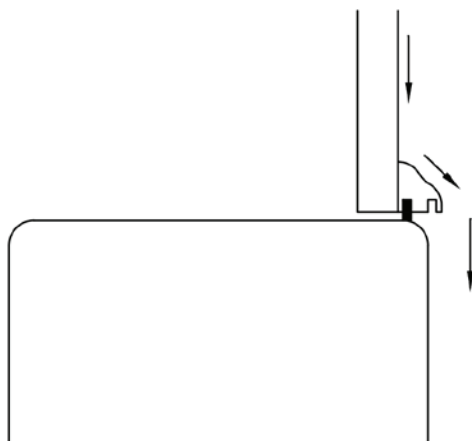
**1. FALL ON TOP OF UPSTAND**



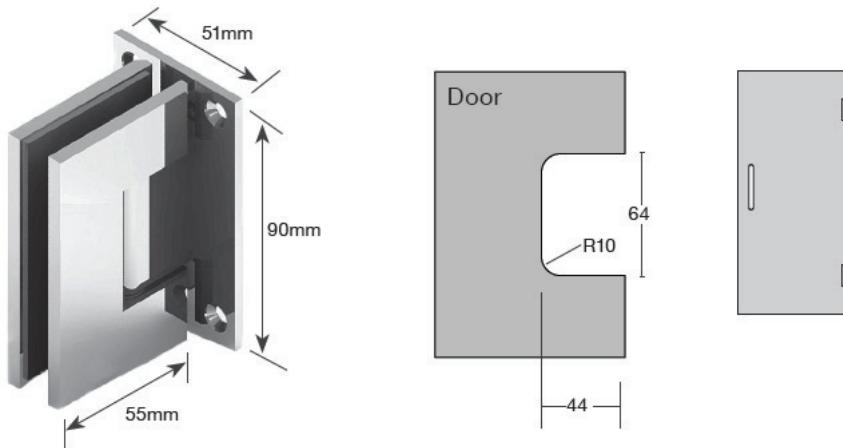
**2. WATERSEAL/HALF ROUND SECTION OR ANGLE SECTION**



**3. WATERSEAL (Glass line lose to inside of upstand)**



### ES1 Wall Hung Hinge



#### AVAILABLE FINISHES

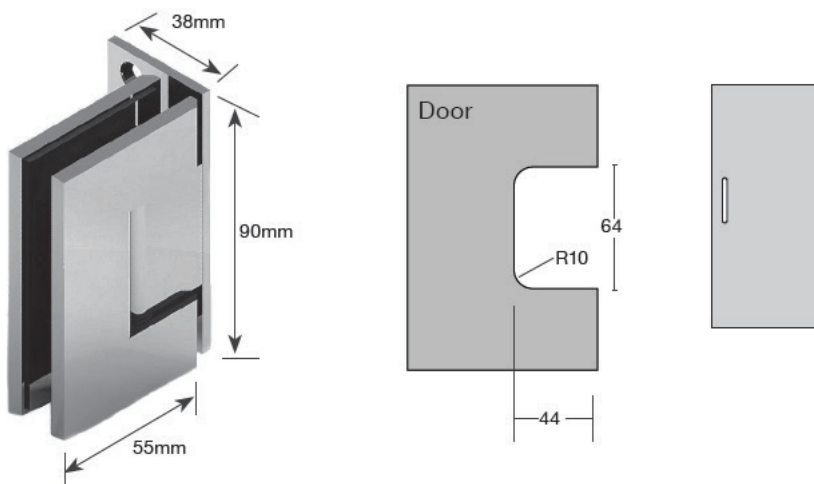
- Polished Chrome
- Satin Chrome
- Special finishes on request, lead time applies

#### TECHNICAL DETAILS

- Manufactured in Brass
- Dual Action, opening inwards and outwards
- Self Closing from approximately 45°
- Standard for 10mm glass
- Can be adapted for 8mm and 12mm glass

*Fixing screws not included, specify if required*

### ES1L Wall Hung Hinge – Single Side



#### AVAILABLE FINISHES

- Polished Chrome
- Satin Chrome
- Matte Black
- Special finishes on request, lead time applies

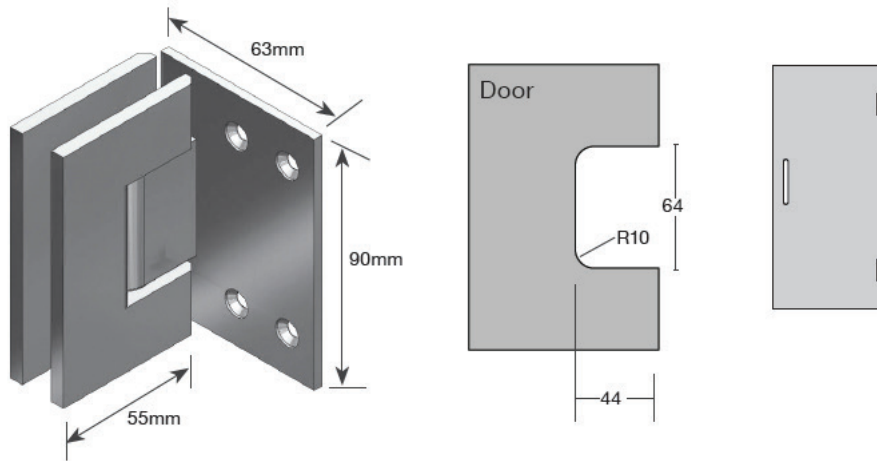
#### TECHNICAL DETAILS

- Manufactured in Brass
- Dual Action, opening inwards and outwards
- Self Closing from approximately 45°
- Standard for 10mm glass
- Can be adapted for 8mm and 12mm glass

**BLACK**

*Fixing screws not included, specify if required*

ES1L-EXT Wall Hung Hinge-Single Side with Extended Back Plate



AVAILABLE FINISHES

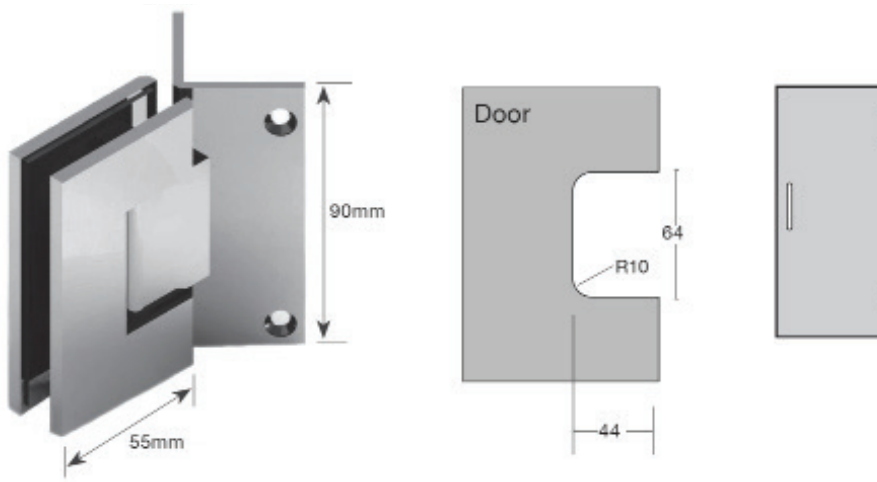
- Polished Chrome
- Satin Chrome
- Special finishes on request, lead time applies

TECHNICAL DETAILS

- Manufactured in Brass
- Dual Action, opening inwards and outwards
- Self Closing from approximately 45°
- Standard for 10mm glass
- Can be adapted for 8mm and 12mm glass

*Fixing screws not included, specify if required*

ES1-90° Wall Hung Hinge – 90° Fixing



AVAILABLE FINISHES

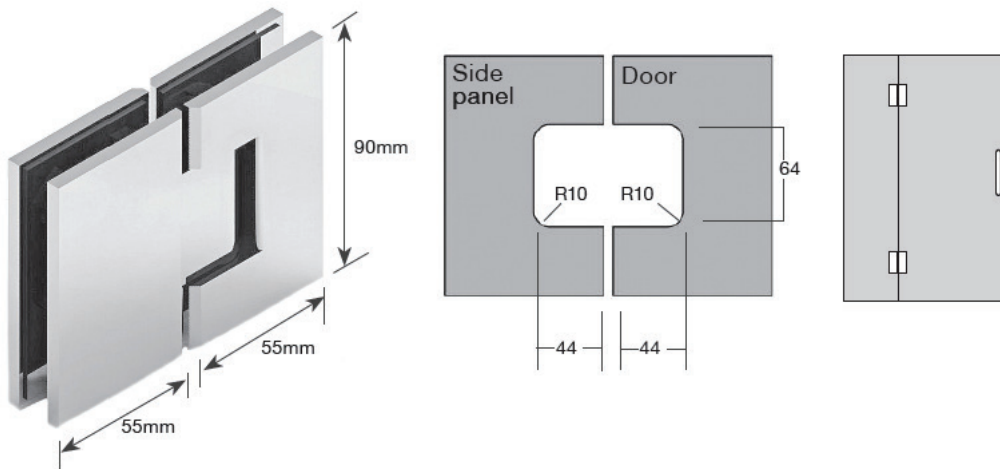
- Polished Chrome
- Satin Chrome
- Special finishes on request, lead time applies

TECHNICAL DETAILS

- Manufactured in Brass
- Dual Action, opening inwards and outwards
- Self Closing from approximately 45°
- Standard for 10mm glass
- Can be adapted for 8mm and 12mm glass

*Fixing screws not included, specify if required*

### ES2 Glass to Glass Hinge



#### AVAILABLE FINISHES

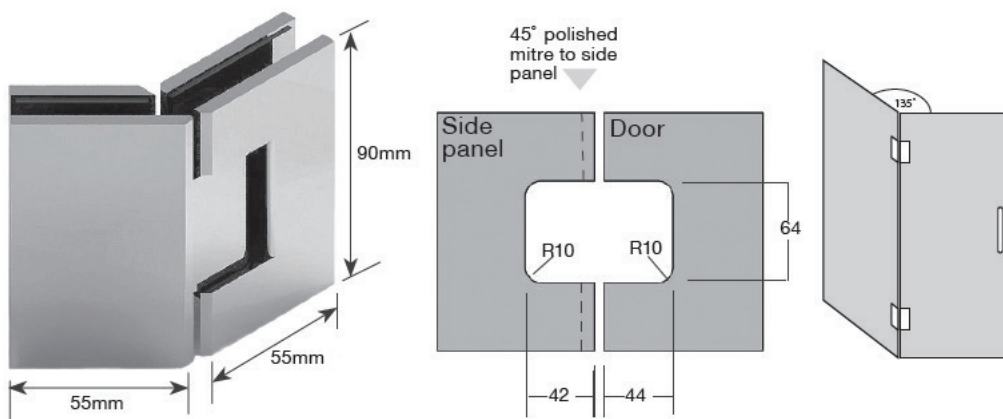
- Polished Chrome
- Satin Chrome
- Matte Black
- Special finishes on request, lead time applies

#### TECHNICAL DETAILS

- Manufactured in Brass
- Dual Action, opening inwards and outwards
- Self Closing from approximately 45°
- Standard for 10mm glass
- Can be adapted for 8mm and 12mm glass

**BLACK**

### ES2-135° Glass to Glass – 135° Hinge



#### AVAILABLE FINISHES

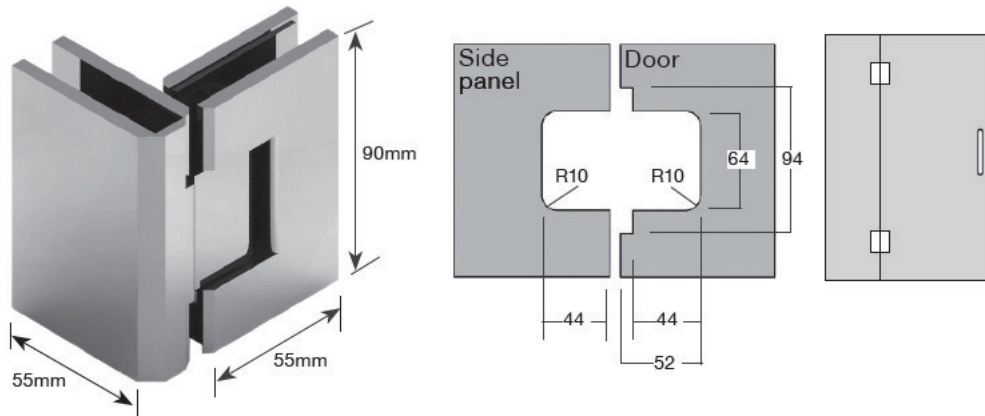
- Polished Chrome
- Satin Chrome
- Matte Black
- Special finishes on request, lead time applies

#### TECHNICAL DETAILS

- Manufactured in Brass
- Dual Action, opening inwards and outwards
- Self Closing from approximately 45°
- Standard for 10mm glass
- Can be adapted for 8mm and 12mm glass

**BLACK**

**ES2-90° Glass to Glass – 90° Hinge**



**AVAILABLE FINISHES**

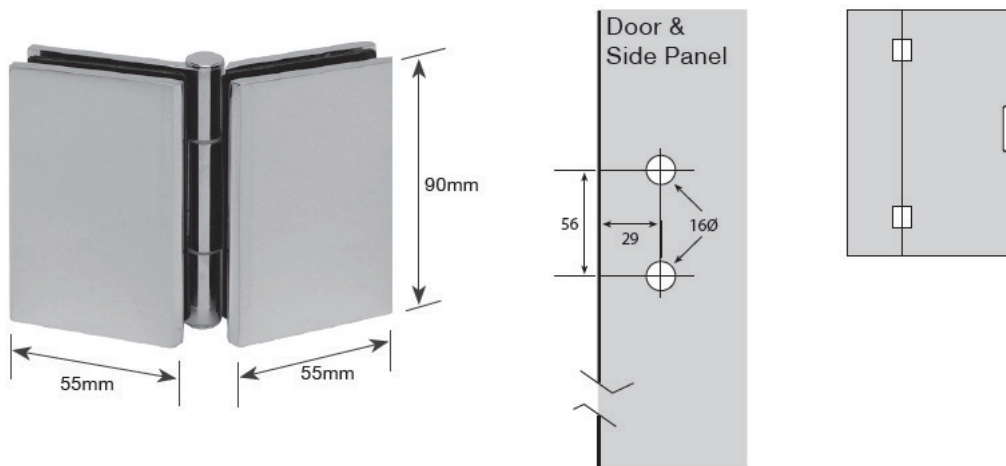
- Polished Chrome
- Satin Chrome
- Matte Black
- Special finishes on request, lead time applies

**TECHNICAL DETAILS**

- Manufactured in Brass
- Dual Action, opening inwards and outwards
- Self Closing from approximately 45°
- Standard for 10mm glass
- Can be adapted for 8mm and 12mm glass

**BLACK**

**ES2-BF Glass to Glass Bifold Hinge**



**AVAILABLE FINISHES**

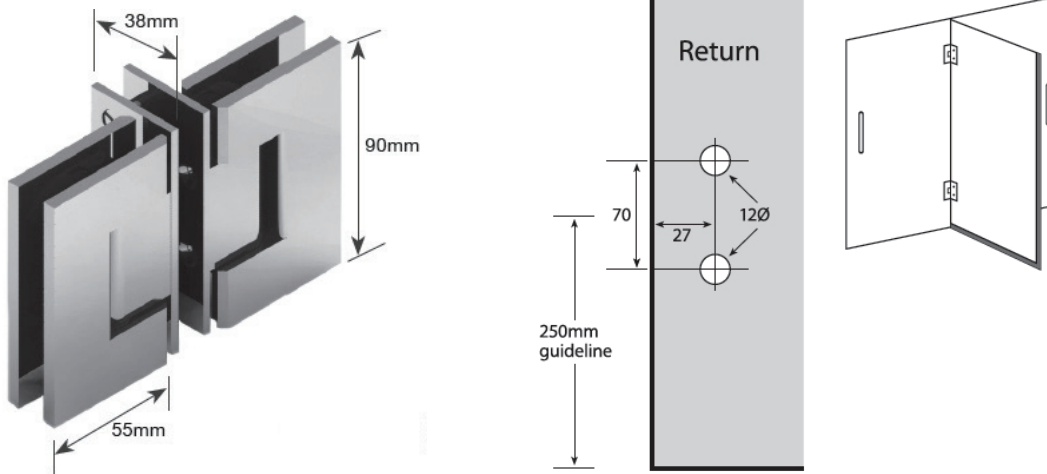
- Polished Chrome
- Satin Chrome
- Matte Black
- Special finishes on request, lead time applies

**TECHNICAL DETAILS**

- Manufactured in Brass
- Dual Action, opening inwards and outwards
- Self Closing from approximately 45°
- Standard for 10mm glass
- Can be adapted for 8mm and 12mm glass

**BLACK**

### ES1LB2B Glass to Glass 90° Hinge



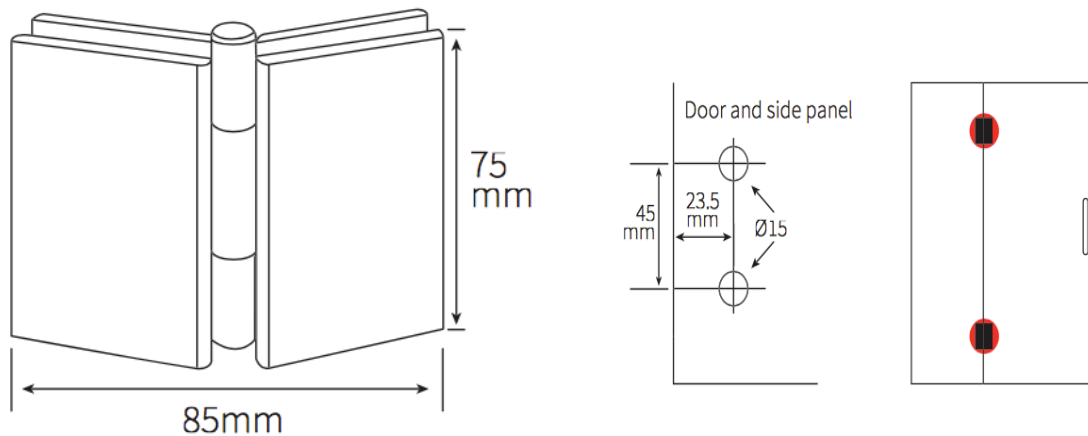
#### AVAILABLE FINISHES

- Polished Chrome
- Satin Chrome
- Special finishes on request, lead time applies

#### TECHNICAL DETAILS

- Manufactured in Brass
- Dual Action, opening inwards and outwards
- Self Closing from approximately 45°
- Standard for 10mm glass
- Can be adapted for 8mm and 12mm glass

### CMES2BF Bifold glass to glass for 6mm glass



#### AVAILABLE FINISHES

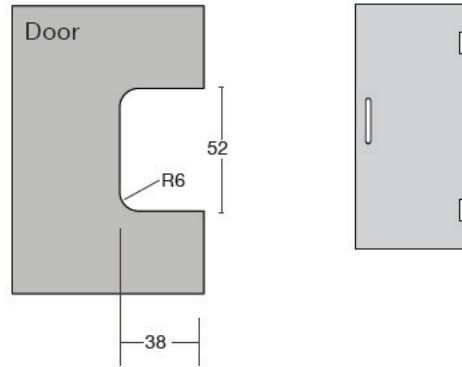
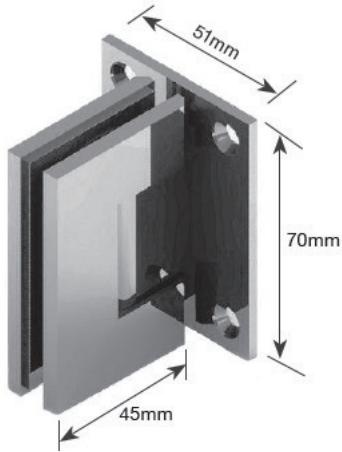
- Polished Chrome
- Satin Chrome
- Special finishes on request, lead time applies

#### TECHNICAL DETAILS

- Shower hinge bifold glass to glass suitable for 6mm glass thickness
- Manufactured in brass
- Hinge folds back 180°
- Maximum door weight 20kg and door width 550mm



## CMES1 Wall Hung Hinge



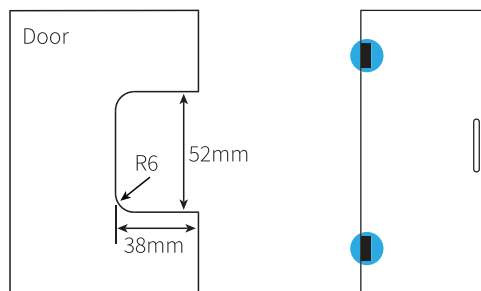
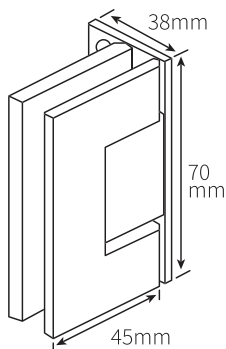
### AVAILABLE FINISHES

- Polished Chrome
- Satin Chrome
- Special finishes on request, lead time applies

### TECHNICAL DETAILS

- Manufactured in Brass
- 180° single action, opening inwards and outwards
- Self Closing from approximately 45°
- Standard for 6mm glass

## CMES1L Wall Hung Hinge – Single Side



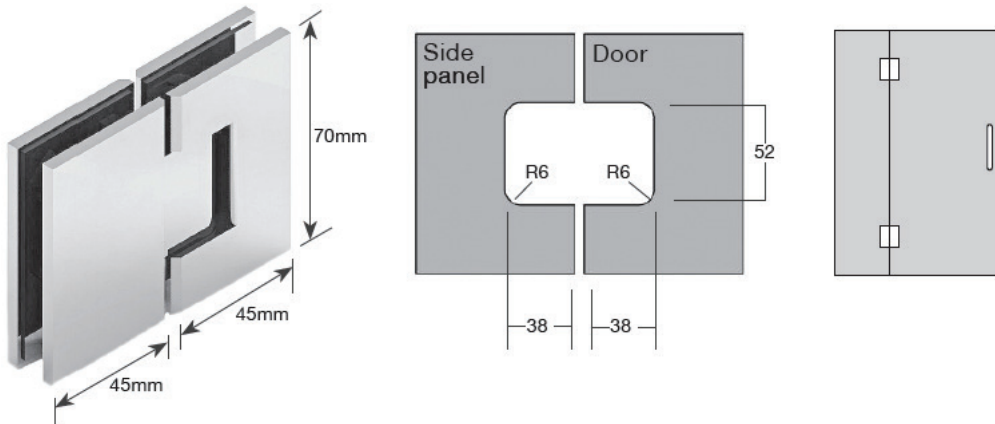
### AVAILABLE FINISHES

- Polished Chrome
- Satin Chrome
- Special finishes on request, lead time applies

### TECHNICAL DETAILS

- Shower hinge wall mount single side suitable for 6mm glass thickness
- Manufactured in brass
- Dual action hinge, opening inwards and outwards
- Self closing from approximately 25°
- Maximum door weight 28kg – maximum door width 710mm
- Stud fixing recommended for all glass to wall applications

### CMES2 Glass to Glass



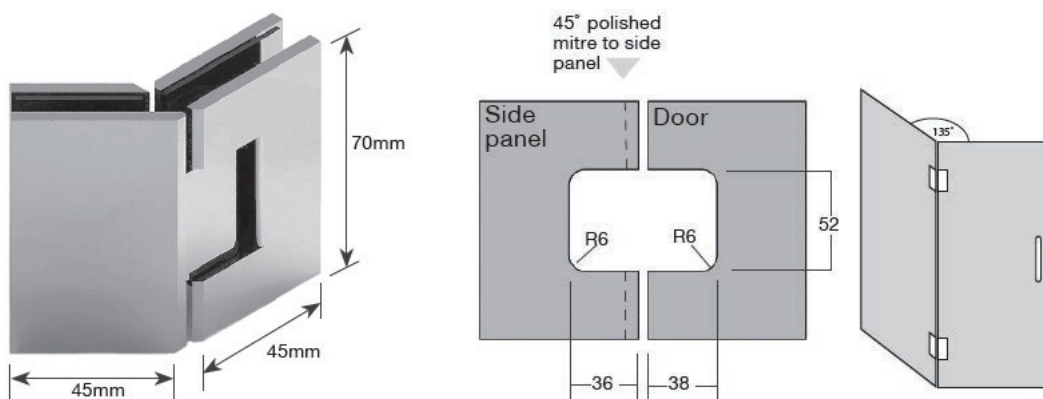
#### AVAILABLE FINISHES

- Polished Chrome
- Satin Chrome
- Special finishes on request, lead time applies

#### TECHNICAL DETAILS

- Manufactured in Brass
- 180° single action, opening inwards and outwards
- Self Closing from approximately 45°
- Standard for 6mm glass

### CMES2-135° Glass to Glass 135° Hinge



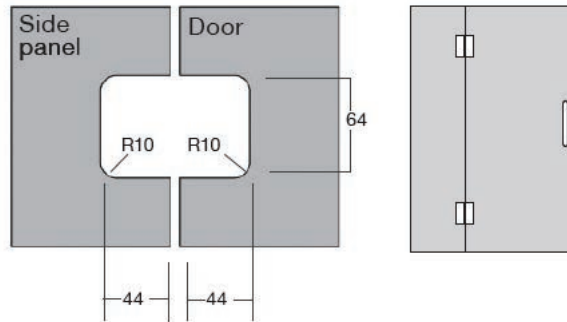
#### AVAILABLE FINISHES

- Polished Chrome
- Satin Chrome
- Special finishes on request, lead time applies

#### TECHNICAL DETAILS

- Manufactured in Brass
- Dual Action, opening inwards and outwards
- Standard for 10mm glass

## ES1L (U-SET) Wall Hung Hinge – Single Side



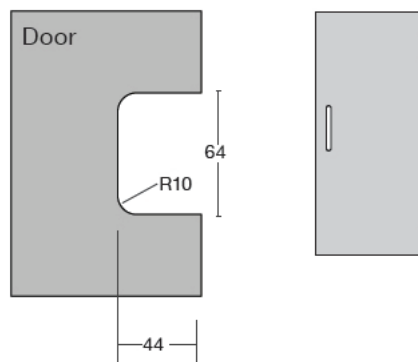
### AVAILABLE FINISHES

- Polished Chrome
- Satin Chrome
- PVD

### TECHNICAL DETAILS

- U-Set hinges are adjustable in all directions, meaning you no longer need custom hinges for those non-standard installations
- They have the weight rating as non-adjustable installations
- A simple turn of the allen keys creates a perfect fit off angles walls
- The range of adjustment makes aligning custom angle installations simple

## ES2 (U-SET) Glass to Glass Hinge



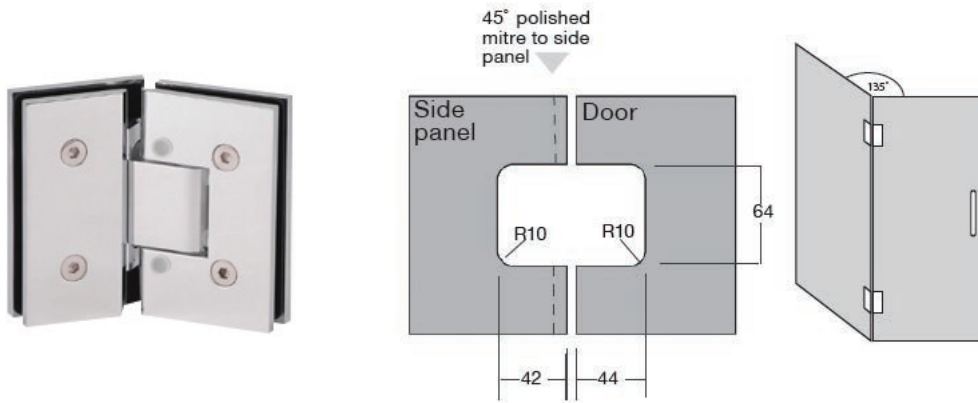
### AVAILABLE FINISHES

- Polished Chrome
- Satin Chrome
- PVD

### TECHNICAL DETAILS

- U-Set hinges are adjustable in all directions, meaning you no longer need custom hinges for those non-standard installations
- They have the weight rating as non-adjustable installations
- A simple turn of the allen keys creates a perfect fit off angles walls
- The range of adjustment makes aligning custom angle installations simple

## ES2-135 (U-Set) Glass to Glass – 135° Hinge



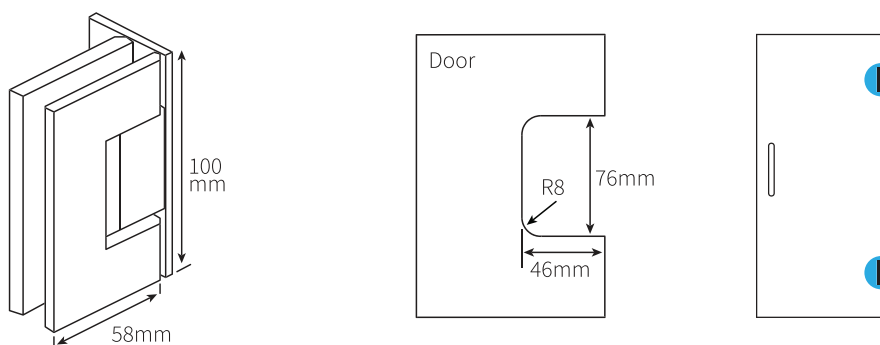
## AVAILABLE FINISHES

- Polished Chrome
- Satin Chrome
- PVD

## TECHNICAL DETAILS

- U-Set hinges are adjustable in all directions, meaning you no longer need custom hinges for those non-standard installations
- They have the weight rating as non-adjustable installations
- A simple turn of the allen keys creates a perfect fit off angles walls
- The range of adjustment makes aligning custom angle installations simple

## HD.ES1L3 Wall Mount – Single Side SUITABLE FOR 10/12MM GLASS THICKNESS



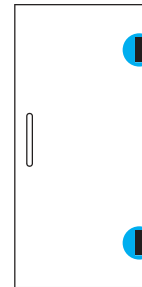
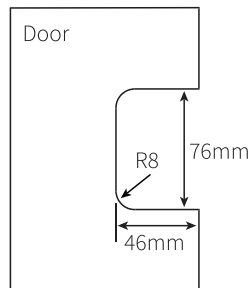
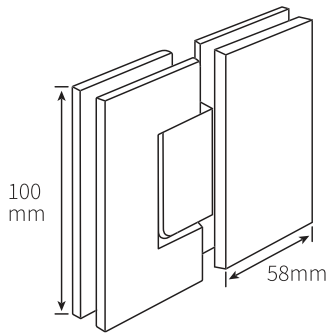
## AVAILABLE FINISHES

- Polished Chrome
- Satin Chrome
- Special finishes on request, lead time applies

## TECHNICAL DETAILS

- Shower hinge wall mount – single side – heavy duty
- Manufactured in brass
- Dual action hinge, opening inwards and outwards
- Self-closing from approximately 15°
- Using two hinges: maximum door weight 50kg – maximum door width 900mm
- Using three hinges: maximum door weight 60kg – maximum door width 900mm
- Suitable for 10mm and 12mm glass thickness

**HD.ES2 180° Glass to Glass** SUITABLE FOR 10/12MM GLASS THICKNESS



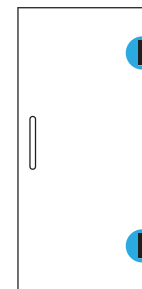
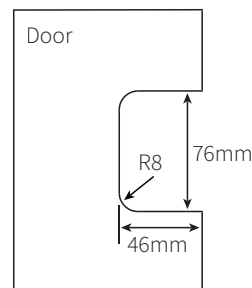
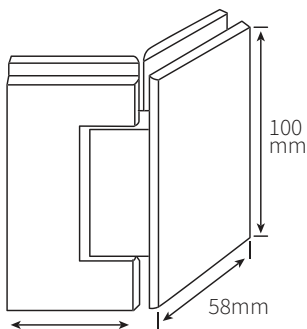
**AVAILABLE FINISHES**

- Polished Chrome
- Satin Chrome
- Special finishes on request, lead time applies

**TECHNICAL DETAILS**

- Shower hinge 180° glass to glass – heavy duty
- Manufactured in brass
- Dual action hinge, opening inwards and outwards
- Self-closing from approximately 15°
- Using two hinges: maximum door weight 50kg – maximum door width 900mm
- Using three hinges: maximum door weight 60kg – maximum door width 900mm
- Suitable for 10mm and 12mm glass thickness

**HD.ES2.135 135° Glass to Glass** SUITABLE FOR 10/12MM GLASS THICKNESS



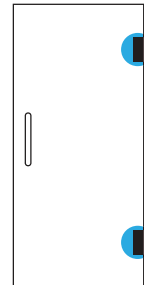
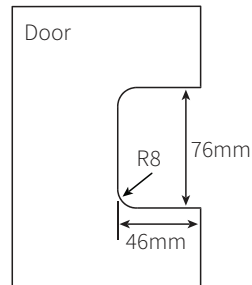
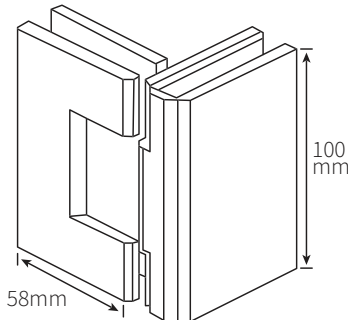
**AVAILABLE FINISHES**

- Polished Chrome
- Satin Chrome
- Special finishes on request, lead time applies

**TECHNICAL DETAILS**

- Shower hinge 135° glass to glass
- Manufactured in brass
- Dual action hinge, opening inwards and outwards
- Self-closing from approximately 15°
- Using two hinges: maximum door weight 50kg – maximum door width 900mm
- Using three hinges: maximum door weight 60kg – maximum door width 900mm
- Suitable for 10mm and 12mm glass thickness

## HD.ES2.90 90° Glass to Glass SUITABLE FOR 10/12MM GLASS THICKNESS



## AVAILABLE FINISHES

- Polished Chrome
- Satin Chrome
- Special finishes on request, lead time applies

## TECHNICAL DETAILS

- Shower hinge 90° glass to glass
- Manufactured in brass
- Dual action hinge, opening inwards and outwards
- Self-closing from approximately 15°
- Using two hinges: maximum door weight 50kg – maximum door width 900mm
- Using three hinges: maximum door weight 60kg – maximum door width 900mm
- Suitable for 10mm and 12mm glass thickness

## GHA-SCSH Soft Close Shower Hinge

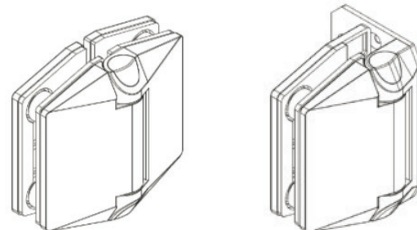
## AVAILABLE FINISHES

- Polished Chrome
- Satin Chrome

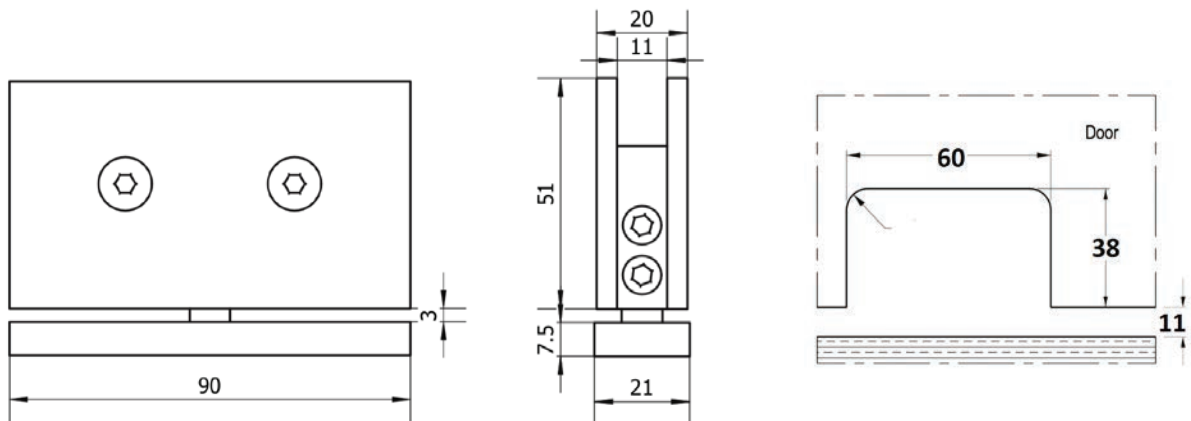


## TECHNICAL DETAILS

- The most innovative shower door hinge for the last 20 years
- Patented soft close hinge designed for shower doors
- The only hinge designed specifically for soft close operation
- Brass construction – Polished or Satin chrome finishes
- Unique 'Tri-Action' closing system consisting of a spring, rare earth magnets and hydraulic shock absorbers resulting in a premium self-closing hinge
- State-of-the-art product unrivalled in design, style and safety
- Awarded a prestigious Australian International Design Mark Award™
- Suitable for 10mm and 12mm toughened glass



**Boston Pivot**



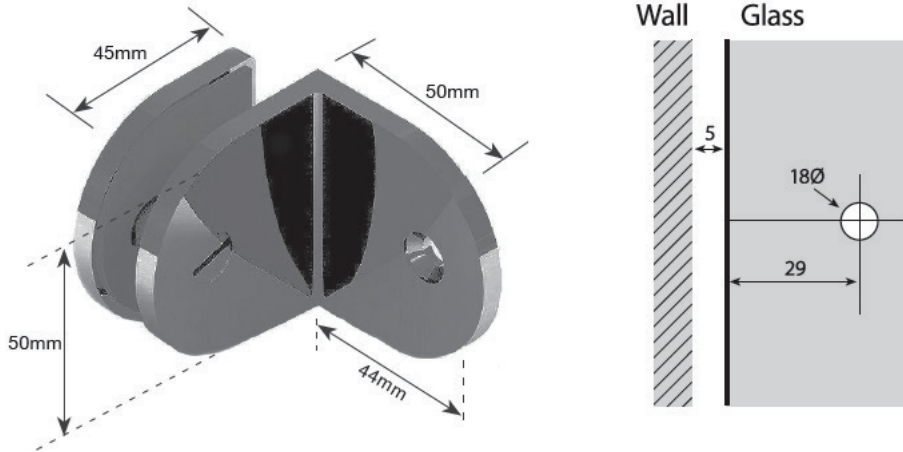
Glass Preparation

**AVAILABLE FINISHES**

- Polished Chrome
- Satin Chrome
- Special finishes on request, lead time applies

**TECHNICAL DETAILS**

- Suitable for 8 mm , 10mm & 12mm glass
- 45kg per set with 787mm maximum door width
- Supplied with Hex head machine screws & Phillips Head fixing screws/plugs
- Door pivot opens in & out. Self closing from approximately 30°

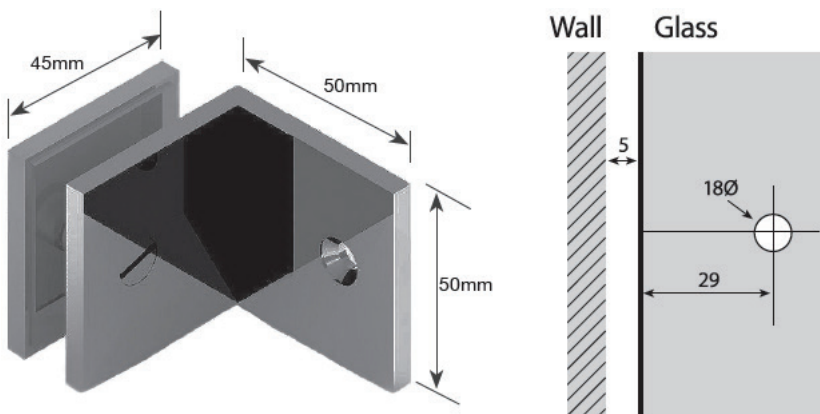
**SB50 Wall Fix Shower Bracket**

**AVAILABLE FINISHES**

- Polished Chrome
- Satin Chrome
- Special finishes on request, lead time applies

**TECHNICAL DETAILS**

- Manufactured in Brass
- 90° glass panel to wall fixing
- Standard for 10mm glass
- Suitable for 8mm, 10mm and 12mm glass

*Specify glass thickness when ordering*

**SB50SQ Square Wall Fix Shower Bracket**

**AVAILABLE FINISHES**

- Polished Chrome
- Satin Chrome
- Matte Black
- Special finishes on request, lead time applies

**TECHNICAL DETAILS**

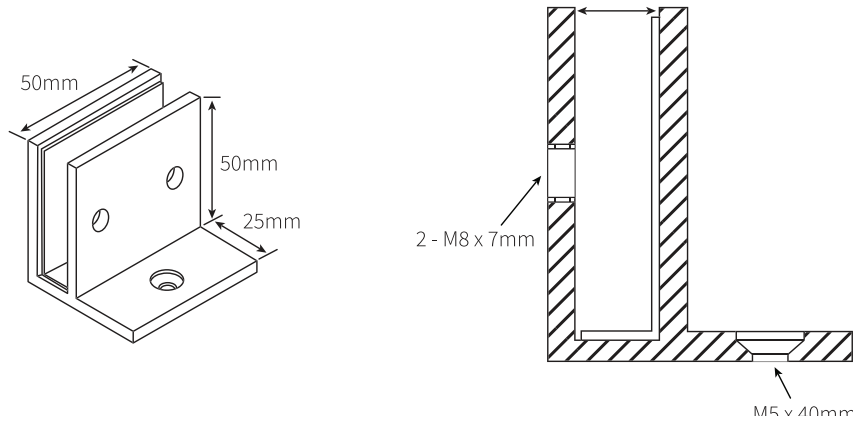
- Manufactured in Brass
- 90° glass panel to wall fixing
- Standard for 10mm glass
- Suitable for 8mm, 10mm and 12mm glass

*Specify glass thickness when ordering*

**BLACK**



**SB50-NH-SQ Square Wall Fix Shower Bracket**



**AVAILABLE FINISHES**

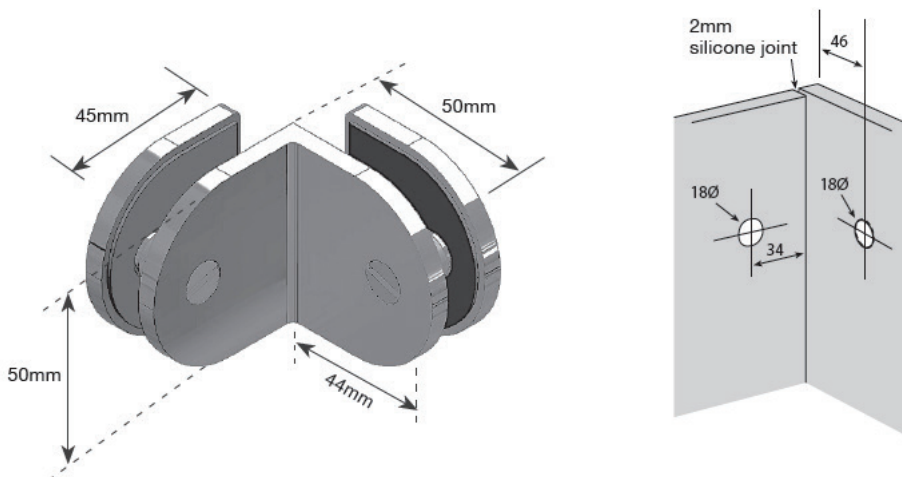
- Polished Chrome
- Satin Chrome
- Special finishes on request, lead time applies

**TECHNICAL DETAILS**

- Manufactured in Brass
- 90° glass panel to wall fixing
- Standard for 10mm glass
- Suitable for 8mm, 10mm and 12mm glass

*Specify glass thickness when ordering*

**SBD50 Glass to Glass Fix Shower Bracket – Double Sided**



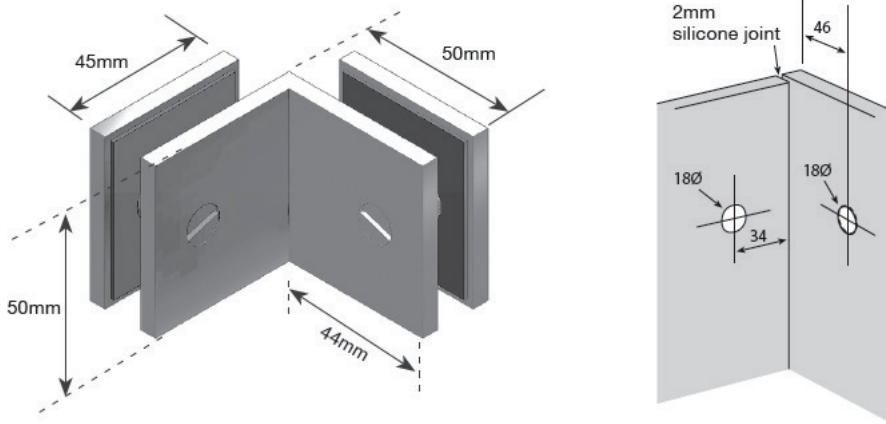
**AVAILABLE FINISHES**

- Polished Chrome
- Satin Chrome
- Special finishes on request, lead time applies

**TECHNICAL DETAILS**

- Manufactured in Brass
- 90° glass panel to wall fixing
- Standard for 10mm glass
- Suitable for 8mm, 10mm and 12mm glass

*Specify glass thickness when ordering*

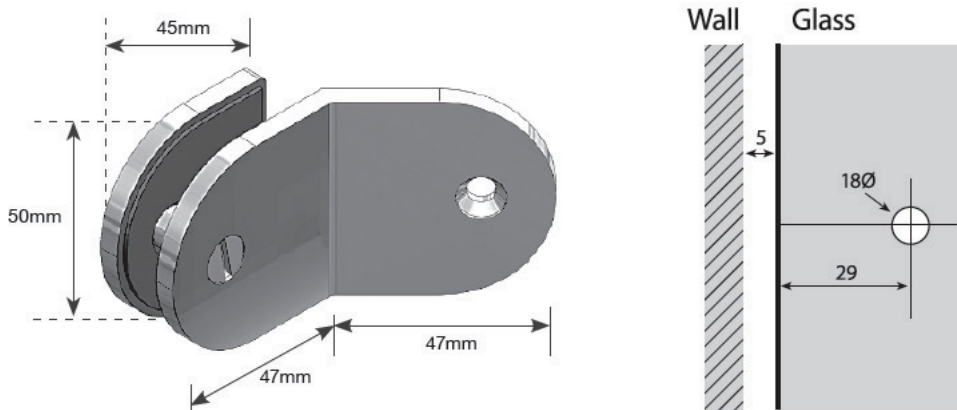
**SBD50SQ Square Glass to Glass Fix Shower Bracket – Double Sided**

**AVAILABLE FINISHES**

- Polished Chrome
- Satin Chrome
- Matte Black
- Special finishes on request, lead time applies

**TECHNICAL DETAILS**

- Manufactured in Brass
- 90° glass panel to wall fixing
- Standard for 10mm glass
- Suitable for 8mm, 10mm and 12mm glass

*Specify glass thickness when ordering*

**BLACK**
**SB135 Wall Fix Shower Bracket**

**AVAILABLE FINISHES**

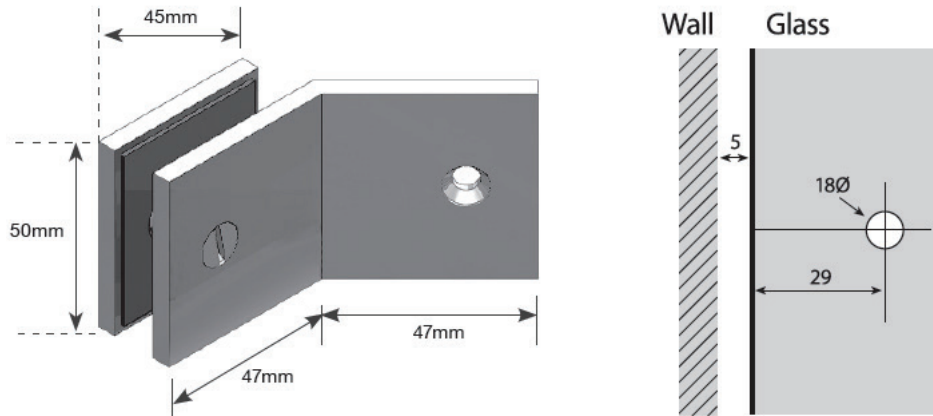
- Polished Chrome
- Satin Chrome
- Special finishes on request, lead time applies

**TECHNICAL DETAILS**

- Manufactured in Brass
- 135° glass panel to wall fixing
- Standard for 10mm glass
- Suitable for 8mm, 10mm and 12mm glass

*Specify glass thickness when ordering*

## SB135SQ Square Wall Fix Shower Bracket



### AVAILABLE FINISHES

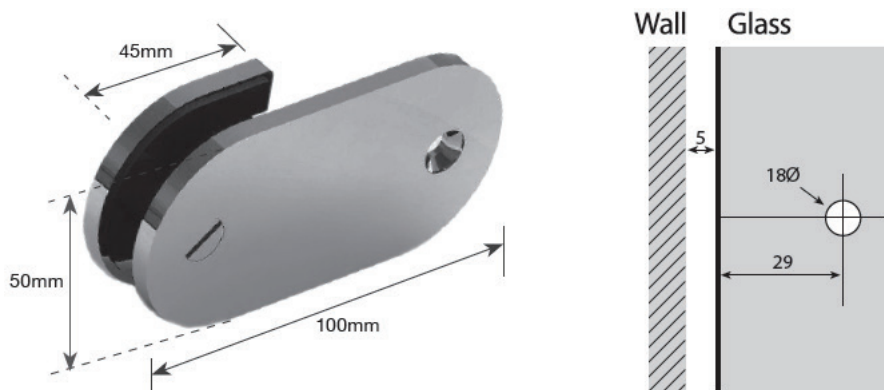
- Polished Chrome
- Satin Chrome
- Special finishes on request, lead time applies

### TECHNICAL DETAILS

- Manufactured in Brass
- 135° glass panel to wall fixing
- Standard for 10mm glass
- Suitable for 8mm, 10mm and 12mm glass

*Specify glass thickness when ordering*

## SB180 Wall Fix Shower Bracket



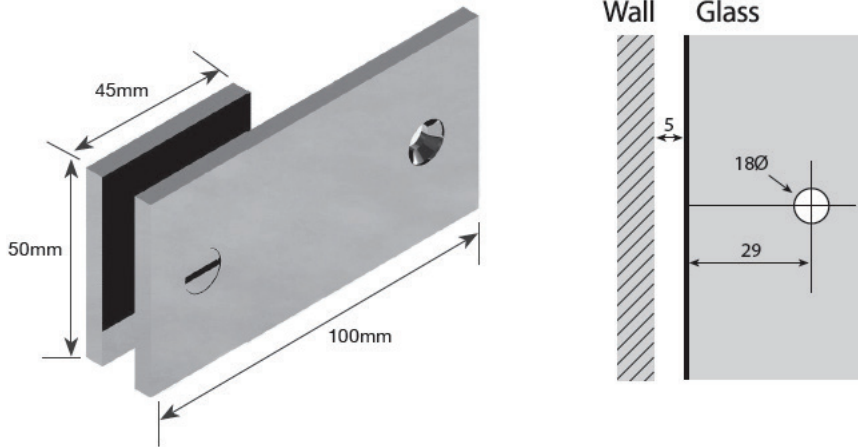
### AVAILABLE FINISHES

- Polished Chrome
- Satin Chrome
- Special finishes on request, lead time applies

### TECHNICAL DETAILS

- Manufactured in Brass
- 180° glass panel to wall fixing
- Standard for 10mm glass
- Suitable for 8mm, 10mm and 12mm glass

*Specify glass thickness when ordering*

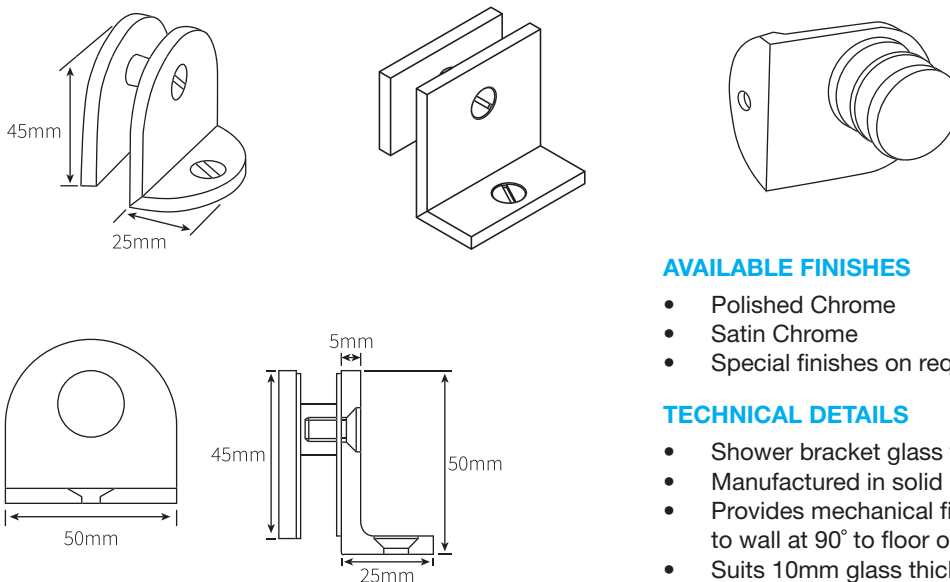
**SB180SQ Square Wall Fix Shower Bracket**

**AVAILABLE FINISHES**

- Polished Chrome
- Satin Chrome
- Special finishes on request, lead time applies

**TECHNICAL DETAILS**

- Manufactured in Brass
- 180° glass panel to wall fixing
- Standard for 10mm glass
- Suitable for 8mm, 10mm and 12mm glass

*Specify glass thickness when ordering*

**SB50.C2 (ROUND) / SB50.C2.SQ (SQUARE) / SB50.C2.B (BUTTON)**  
**Glass to Wall Fixed Custom 2 Shower Bracket**


*Specify glass thickness, material finish and bracket type when ordering*

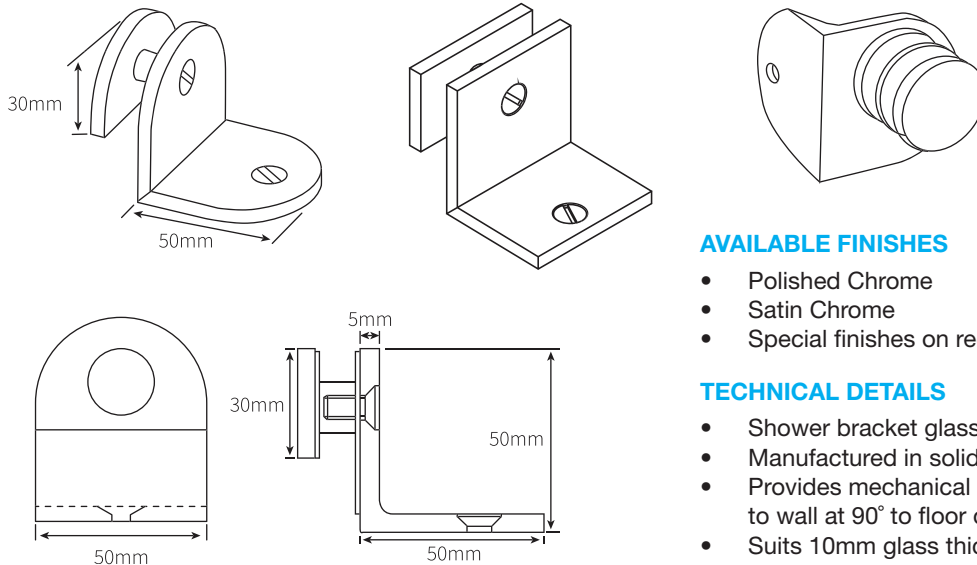
**AVAILABLE FINISHES**

- Polished Chrome
- Satin Chrome
- Special finishes on request, lead time applies

**TECHNICAL DETAILS**

- Shower bracket glass to wall fixed custom 2
- Manufactured in solid brass
- Provides mechanical fixing of glass panel to wall at 90° to floor or wall
- Suits 10mm glass thickness
- Adaptable for 6mm, 8mm and 12mm glass thickness on request
- Suitable when fixing area is restricted

**SB50.C3 (ROUND) / SB50.C3.SQ (SQUARE) / SB50.C3.B (BUTTON)**  
Glass to Wall Fixed Shower Bracket



*Specify glass thickness, material finish and bracket type when ordering*

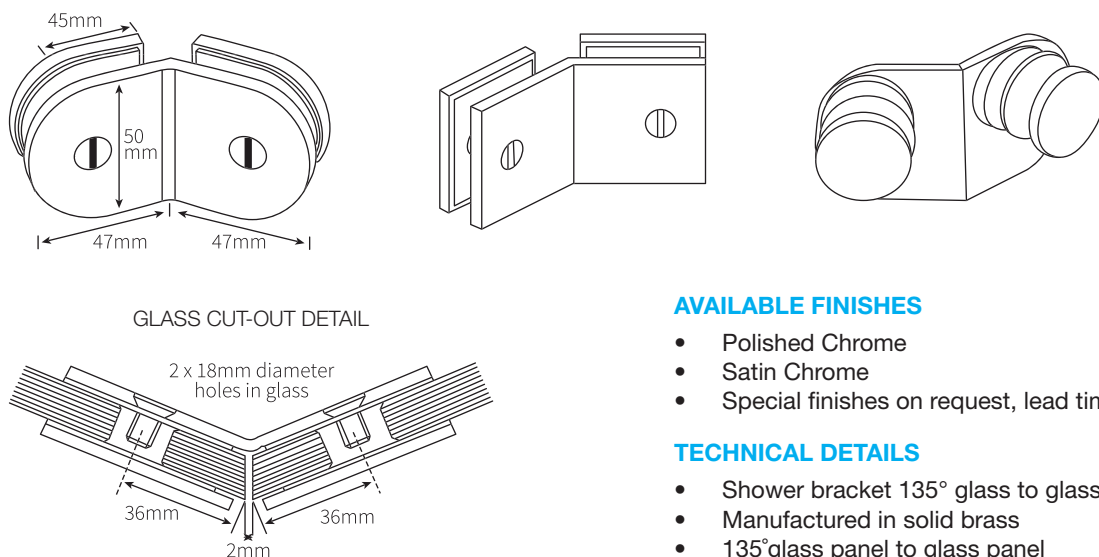
**AVAILABLE FINISHES**

- Polished Chrome
- Satin Chrome
- Special finishes on request, lead time applies

**TECHNICAL DETAILS**

- Shower bracket glass to wall fixed custom 3
- Manufactured in solid brass
- Provides mechanical fixing of glass panel to wall at 90° to floor or wall
- Suits 10mm glass thickness
- Adaptable for 6mm, 8mm and 12mm glass thickness on request
- Suitable when the bracket fixing point is lower than the glass edge

**SBD135 (ROUND) / SBD135.SQ (SQUARE) / SBD135.B (BUTTON)**  
135° Glass to Glass Fixed Shower Bracket



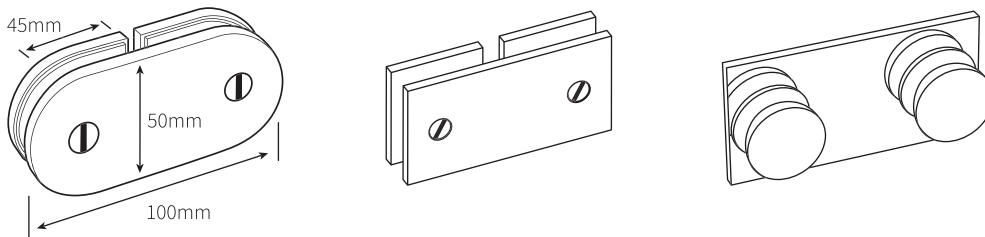
*Specify glass thickness, material finish and bracket type when ordering*

**AVAILABLE FINISHES**

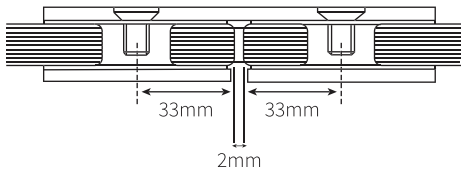
- Polished Chrome
- Satin Chrome
- Special finishes on request, lead time applies

**TECHNICAL DETAILS**

- Shower bracket 135° glass to glass fixed
- Manufactured in solid brass
- 135° glass panel to glass panel
- Suits 10mm glass thickness
- Adaptable for 6mm, 8mm and 12mm glass thickness on request

**SB180 (ROUND) / SB180.SQ (SQUARE) / SB180.B (BUTTON)**  
**180° Glass to Glass Double Sided Flat Fixed Shower Bracket**


GLASS CUT-OUT DETAIL



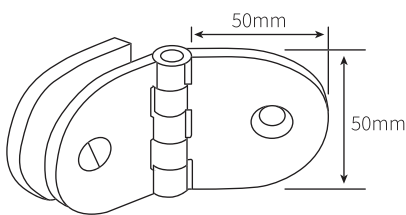
Specify glass thickness, material finish and bracket type when ordering

**AVAILABLE FINISHES**

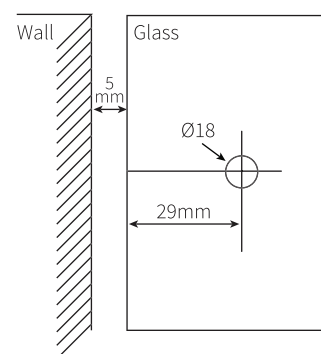
- Polished Chrome
- Satin Chrome
- Special finishes on request, lead time applies

**TECHNICAL DETAILS**

- Shower bracket 180° glass to glass double sided flat fixed
- Manufactured in solid brass
- Fixing of two glass panels at 180°
- Suits 10mm glass thickness
- Adaptable for 6mm, 8mm and 12mm glass thickness on request

**SB50.CAB (ROUND) / SB50.CAB.SQ (SQUARE) / SB50.CAB.B (BUTTON)**  
**Adjustable Wall Fix Shower Bracket**


GLASS CUT-OUT DETAIL


**AVAILABLE FINISHES**

- Polished Chrome
- Satin Chrome
- Special finishes on request, lead time applies

**TECHNICAL DETAILS**

- Shower bracket adjustable wall fix
- Manufactured in solid brass
- 240° glass panel to wall fixing
- Adaptable to suit any non-square walls by loosening allen key screw
- Suits 10mm glass thickness
- Adaptable for 6mm, 8mm and 12mm glass thickness on request

Specify glass thickness, material finish and bracket type when ordering

**SB50NL Shower Support Bracket**



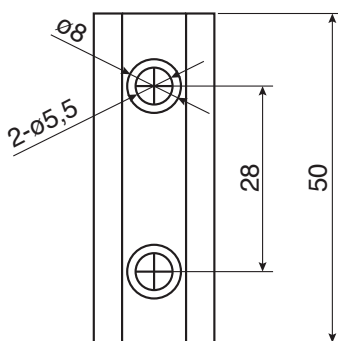
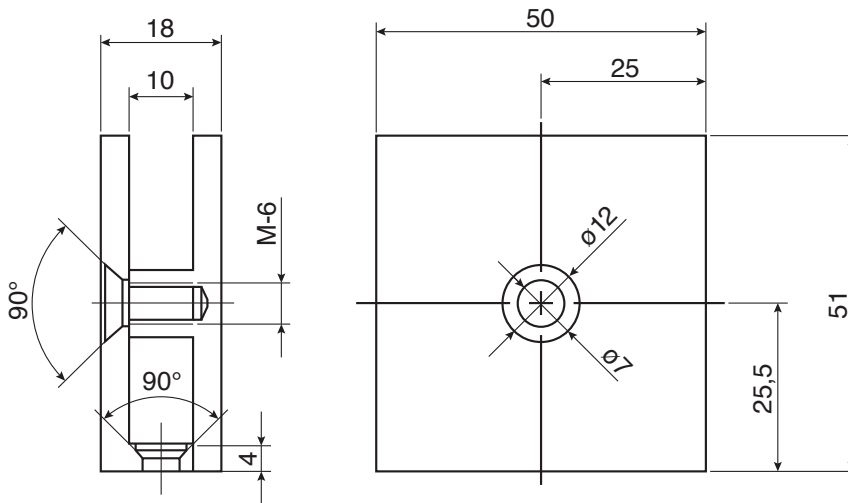
**AVAILABLE FINISHES**

- Polished Stainless
- Satin Chrome

**TECHNICAL DETAILS**

- 50mm x 50mm size
- No hole necessary

**SB50NL (with Hole in Glass) Shower Support Bracket**



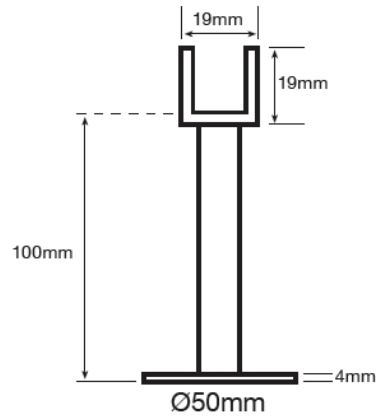
**AVAILABLE FINISHES**

- Polished Stainless
- Satin Chrome

**TECHNICAL DETAILS**

- 50mm x 50mm size
- Hole in glass 18mm diameter, 25mm from edge of glass

## SSB100 Shower Support Bracket



### AVAILABLE FINISHES

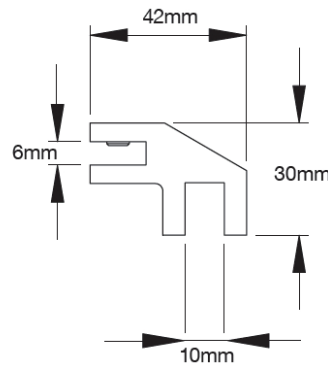
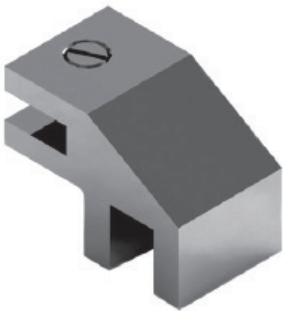
- Polished Chrome
- Satin Chrome
- Special finishes on request, lead time applies

### TECHNICAL DETAILS

- Manufactured in solid Brass
- 50mm diameter base and 19mm diameter leg
- 19 x 19 U channel

*N.B. Standard 100mm height  
Custom sizes up to 500mm height*

## OPF2 Overpanel Fitting



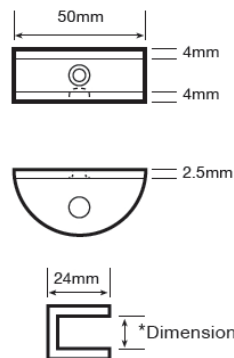
### AVAILABLE FINISHES

- Polished Stainless
- Satin Chrome

### TECHNICAL DETAILS

- Suits 10mm glass shower with 6mm glass overpanel
- Fixing to glass by teflon tipped grub screw

## SB6 / SB8 / SB10 / SB12 Glass Shelf Brackets



\* SB6 = 6.2mm SB8 = 8.2mm  
SB10 = 10.2mm SB12 = 12.2mm

### AVAILABLE FINISHES

- Polished Chrome
- Satin Chrome
- Special finishes on request, lead time applies

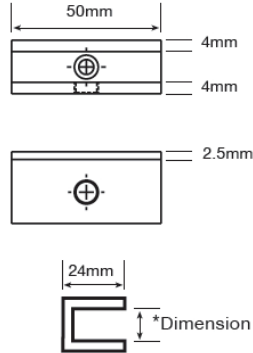
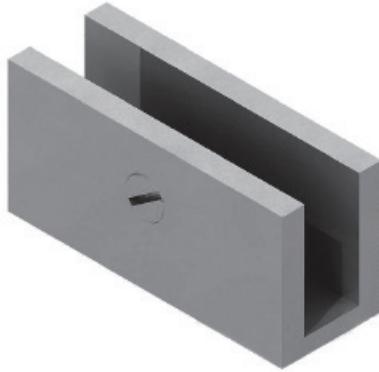
### TECHNICAL DETAILS

- Manufactured in Brass
- Fixing to glass by teflon tipped grub screw
- Fixing to wall by counter sunk hole through bracket

*Dimensions to suit 6mm, 8mm,  
10mm and 12mm glass*



**SB6SQ / SB8SQ / SB10SQ / SB12SQ Square Glass Shelf Brackets**



\* SB6SQ = 6.2mm    SB8SQ = 8.2mm  
SB10SQ = 10.2mm    SB12SQ = 12.2mm

**AVAILABLE FINISHES**

- Polished Chrome
- Satin Chrome
- Matte Black
- Special finishes on request, lead time applies

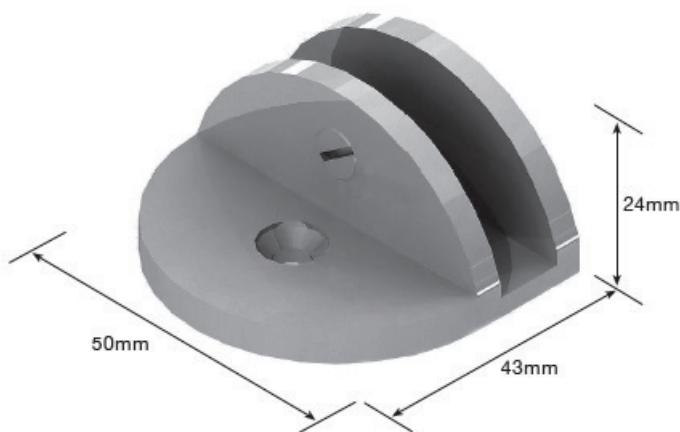
**TECHNICAL DETAILS**

- Manufactured in Brass
- Fixing to glass by teflon tipped grub screw
- Fixing to wall by counter sunk hole through bracket

*Dimensions to suit 6mm, 8mm, 10mm and 12mm glass*

**BLACK**

**SB10HL**

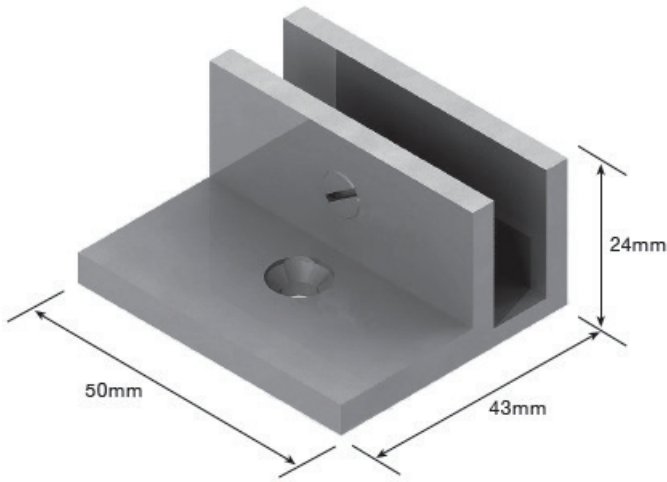


**AVAILABLE FINISHES**

- Polished Chrome
- Satin Chrome
- Special finishes on request, lead time applies

**TECHNICAL DETAILS**

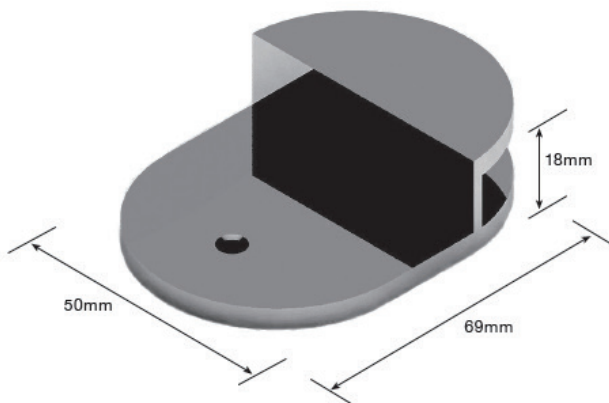
- Manufactured in Brass
- Fixing to glass by teflon tipped grub screw
- Fixing to wall by counter sunk hole through bracket
- Suits 10mm glass

**SB10HLSQ Square Glass Shelf Bracket**

**AVAILABLE FINISHES**

- Polished Chrome
- Satin Chrome
- Matte Black
- Special finishes on request, lead time applies

**TECHNICAL DETAILS**

- Manufactured in Brass
- Fixing to glass by teflon tipped grub screw
- Fixing to wall by counter sunk hole through bracket
- Suits 10mm glass

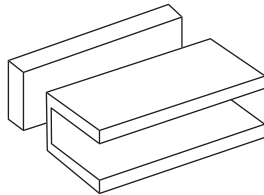
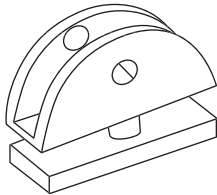
**BLACK**
**SB10VL Glass Shelf Bracket**

**AVAILABLE FINISHES**

- Polished Chrome
- Satin Chrome
- Special finishes on request, lead time applies

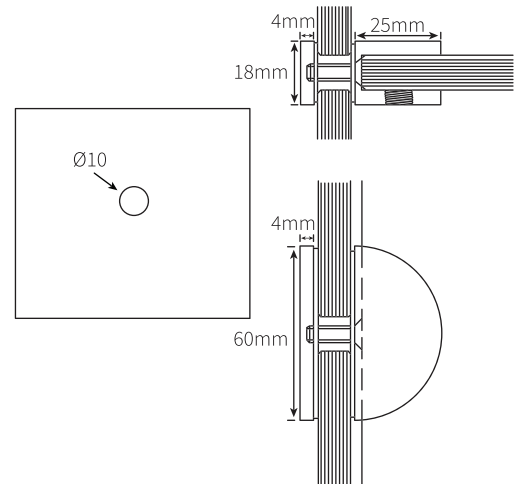
**TECHNICAL DETAILS**

- Manufactured in Brass
- Fixing to glass by teflon tipped grub screw
- Fixing to wall by counter sunk hole through bracket
- Suits 10mm glass

**SB10.GF (ROUND) / SB10.GF.SQ (SQUARE)**  
Shower Glass Shelf Bracket with Grub Screw



GLASS PREPARATION



**AVAILABLE FINISHES**

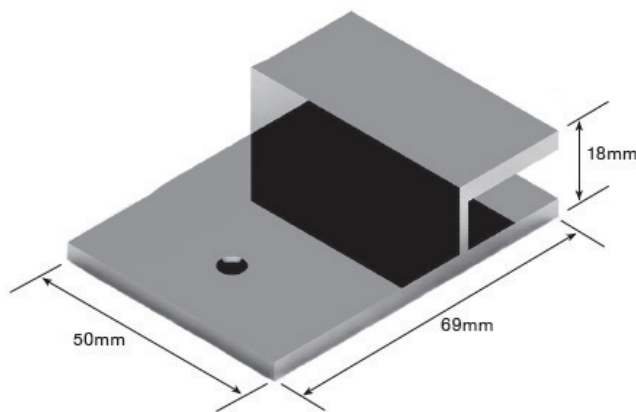
- Polished Chrome
- Satin Chrome
- Special finishes on request, lead time applies

**TECHNICAL DETAILS**

- Glass shelf bracket with grub screw
- Manufactured in solid brass
- Facilitates fixing of glass shelves through glass panels
- Suits 10mm glass thickness

*Specify glass thickness, material finish and bracket type when ordering*

**SB10VLSQ Square Glass Shelf Bracket**



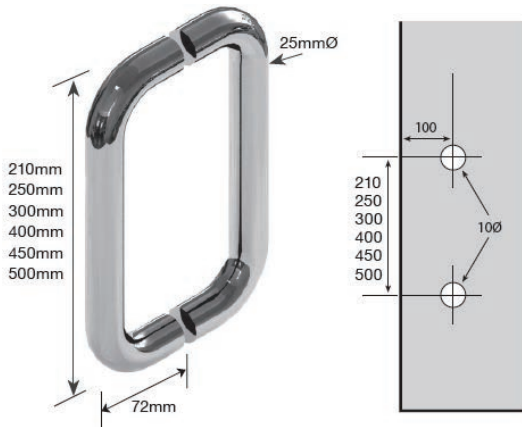
**AVAILABLE FINISHES**

- Polished Chrome
- Satin Chrome
- Matte Black
- Special finishes on request, lead time applies

**TECHNICAL DETAILS**

- Manufactured in Brass
- Fixing to glass by teflon tipped grub screw
- Fixing to wall by counter sunk hole through bracket
- Suits 10mm glass

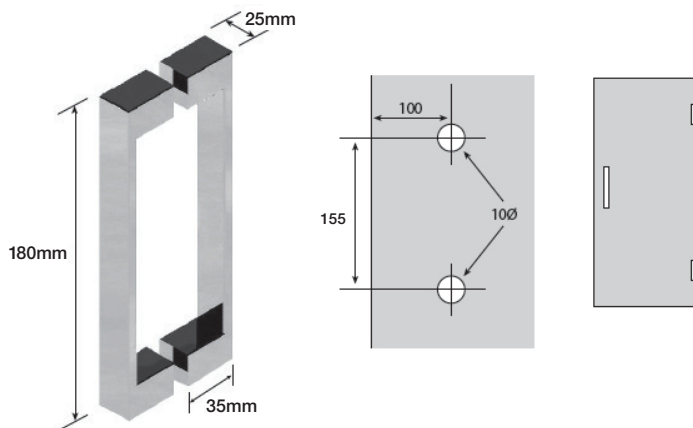
**BLACK**

**SH210 / 250 / 300 / 400 / 450 / 500 Double D Pull Handle**

**AVAILABLE FINISHES**

- Polished Stainless
- Satin Chrome
- Special finishes on request, lead time applies

**TECHNICAL DETAILS**

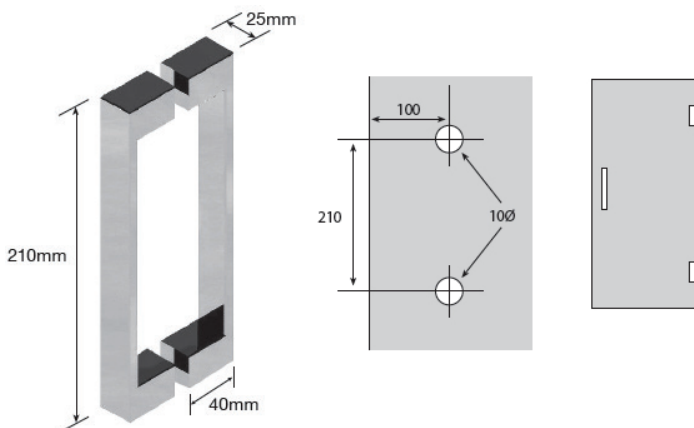
- Stainless tube, 25mm diameter
- Suitable for 6mm, 8mm, 10mm and 12mm glass
- Hole centres 210mm, 250mm, 300mm, 400mm, 450mm, 500mm
- Hole diameter 10mm
- Supplied as a pair

**CUBIX 15 Double Pull Handle**

**AVAILABLE FINISHES**

- Polished Stainless
- Matte Black

**BLACK**
**TECHNICAL DETAILS**

- Rail 25mm width
- Hole centres 155mm
- Hole diameter 10mm
- Supplied as a pair

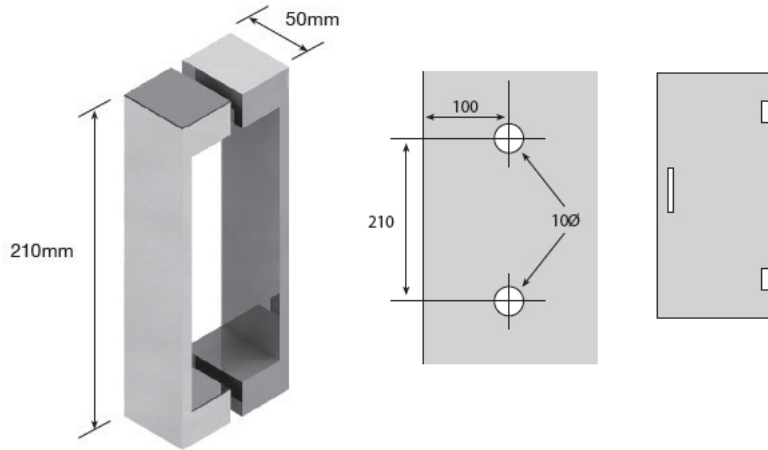
**CUBIX 25 Double Pull Handle**

**AVAILABLE FINISHES**

- Polished Stainless
- Satin Chrome
- Special finishes on request, lead time applies

**TECHNICAL DETAILS**

- Rail 25mm width
- Hole centres 210mm
- Hole diameter 10mm
- Supplied as a pair

## CUBIX 50 Double Pull Handle



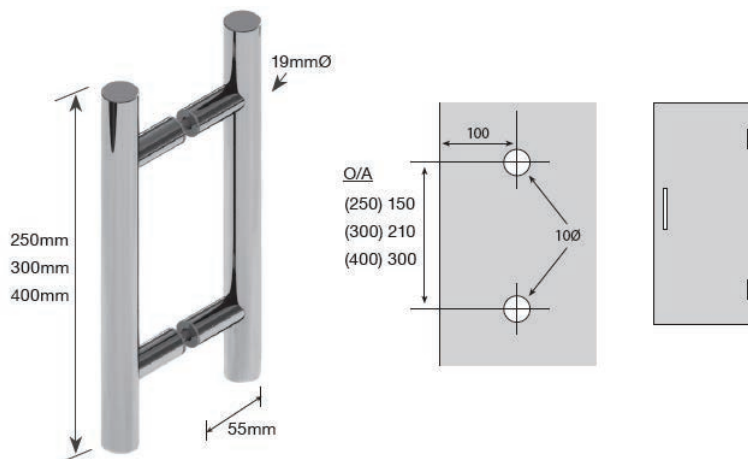
### AVAILABLE FINISHES

- Polished Stainless
- Satin Chrome
- Special finishes on request, lead time applies

### TECHNICAL DETAILS

- Rail 25mm width
- Hole centres 210mm
- Hole diameter 20mm
- Supplied as a pair

## HM 150 / 210 / 300 Marsh Handle

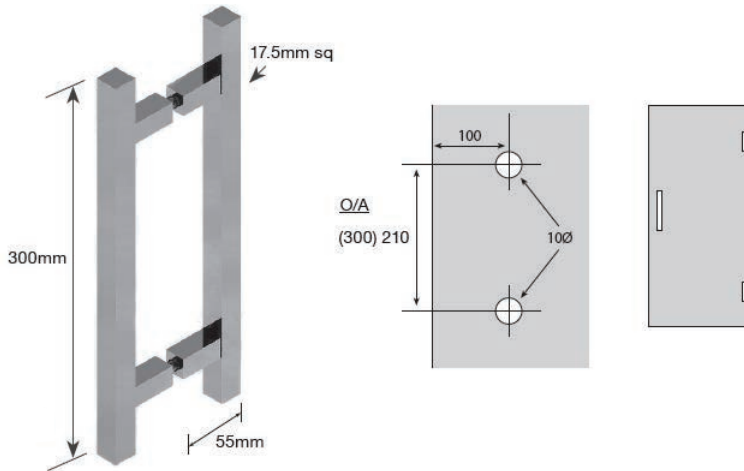


### AVAILABLE FINISHES

- Polished Chrome
- Satin Chrome
- Special finishes on request, lead time applies

### TECHNICAL DETAILS

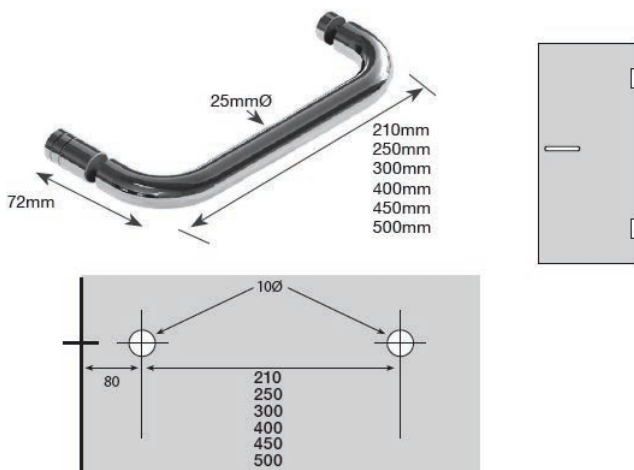
- Solid Brass, 19mm diameter
- Suitable for 6mm, 8mm, 10mm and 12mm glass
- Hole centres 150mm, 210mm, 300mm
- Hole diameter 10mm
- Supplied as a pair

**HM210SQ Square Marsh Handle**

**AVAILABLE FINISHES**

- Polished Chrome
- Satin Chrome
- Special finishes on request, lead time applies

**TECHNICAL DETAILS**

- Solid Brass, 17.5mm diameter
- Suitable for 6mm, 8mm, 10mm and 12mm glass
- Hole centres 210mm
- Hole diameter 10mm
- Supplied as a pair
- Other sizes as per round Marsh can be custom ordered

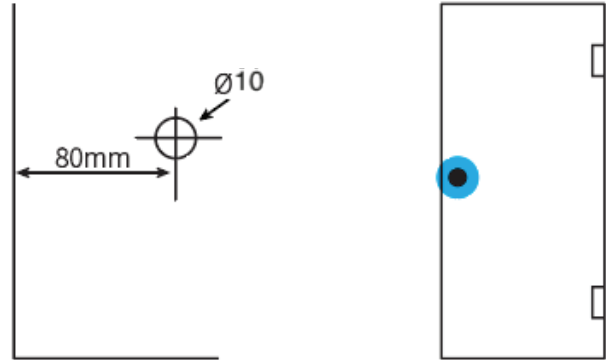
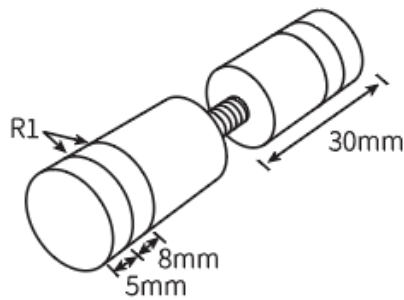
**TRK210 / 250 / 300 / 400 / 450 / 500 Towel Handle/Pull Knob**

**AVAILABLE FINISHES**

- Polished Stainless
- Satin Chrome
- Special finishes on request, lead time applies

**TECHNICAL DETAILS**

- Stainless tube, 25mm diameter
- Suitable for 6mm, 8mm, 10mm and 12mm glass
- Hole centres 210mm, 250mm, 300mm, 400mm, 450mm, 500mm
- Hole diameter 10mm

## MSK40 Double Pull Knob



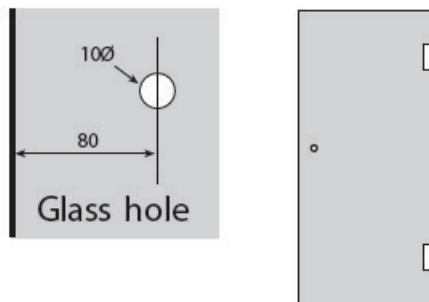
### AVAILABLE FINISHES

- Polished Chrome
- Satin Chrome
- Special finishes on request, lead time applies

### TECHNICAL DETAILS

- Pull knob double 25mm diameter
- Solid brass
- Supplied as a pair

## SK40 Double Pull Knob



### AVAILABLE FINISHES

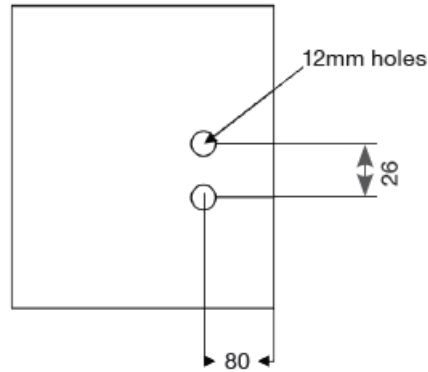
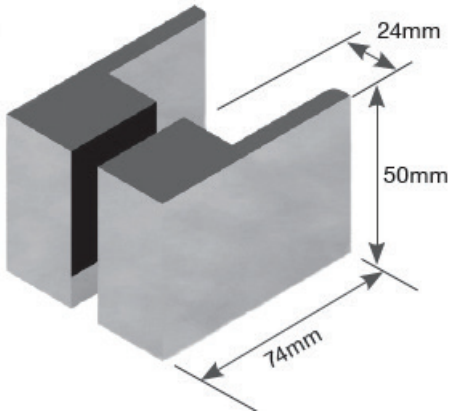
- Polished Chrome
- Satin Chrome
- Matte Black
- Special finishes on request, lead time applies

### TECHNICAL DETAILS

- Solid Brass, 25mm diameter
- Hole diameter 10mm
- Supplied as a pair
- Also available as a single knob with button

**BLACK**

## SK50 Square Double Pull Knob



### AVAILABLE FINISHES

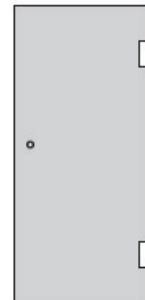
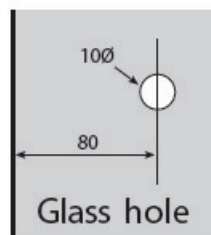
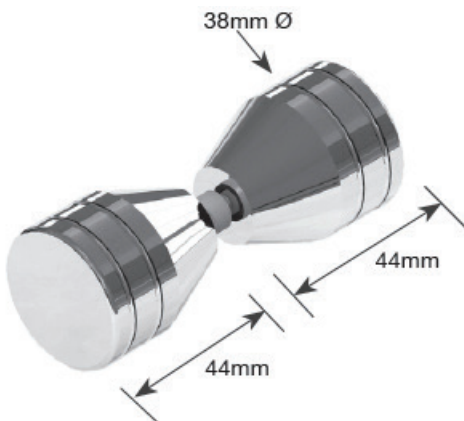
- Polished Chrome
- Satin Chrome
- Matte Black
- Special finishes on request, lead time applies

### TECHNICAL DETAILS

- Solid Brass, 50mm x 74mm
- Glass hole configuration needs to be slotted
- Supplied as a pair

**BLACK**

## SK60 Double Pull Knob



### AVAILABLE FINISHES

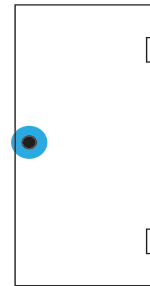
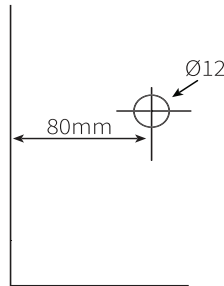
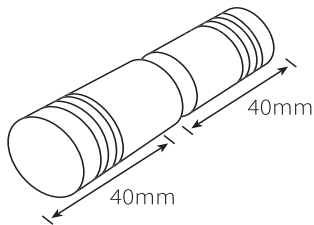
- Polished Chrome
- Satin Chrome
- Special finishes on request, lead time applies

### TECHNICAL DETAILS

- Solid Brass, 38mm diameter
- Hole diameter 10mm
- Supplied as a pair



## SK30 Double Pull Knob



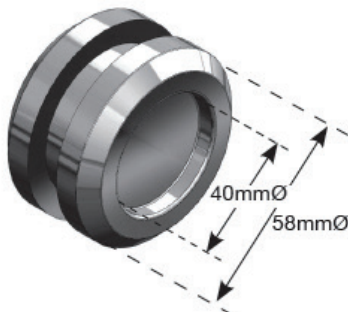
### AVAILABLE FINISHES

- Polished Chrome
- Satin Chrome
- Special finishes on request, lead time applies

### TECHNICAL DETAILS

- Pull knob double 32mm diameter
- Solid brass
- Supplied as a pair

## SK90 Single Door Finger Pull



### AVAILABLE FINISHES

- Polished Chrome
- Satin Chrome

### TECHNICAL DETAILS

- Glass hole diameter 48mm
- Supplied as a pair
- Suits 8mm and 10mm glass

## SK35 Double Pull Knob

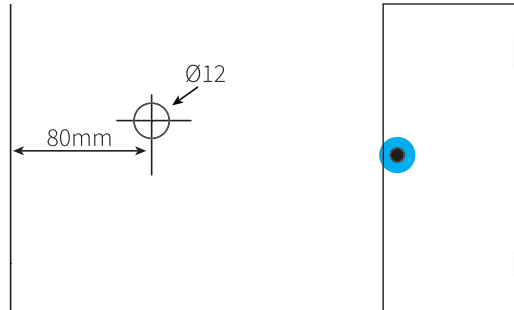
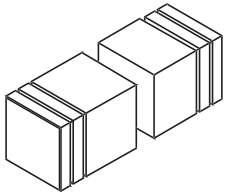


### AVAILABLE FINISHES

- Polished Chrome
- Satin Chrome

### TECHNICAL DETAILS

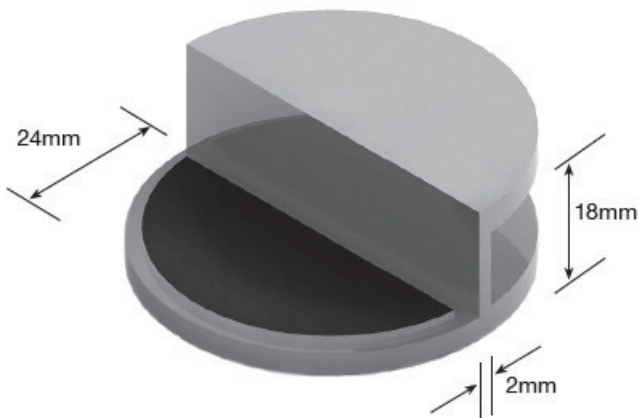
- Glass hole diameter 12mm
- Supplied as a pair
- Suits 8mm and 10mm glass

**SK40-SQ Square Double Pull Knob**

**AVAILABLE FINISHES**

- Polished Chrome
- Satin Chrome
- Special finishes on request, lead time applies

**TECHNICAL DETAILS**

- Glass hole diameter 12mm
- Supplied as a pair

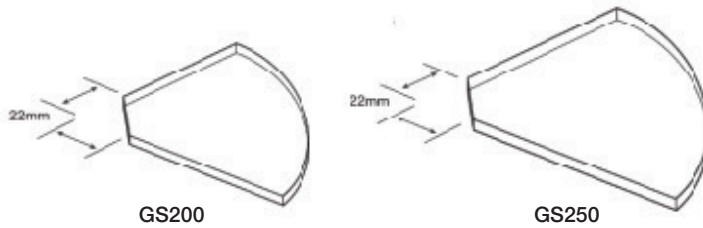
**SB10STOP Shower Door Stop**

**AVAILABLE FINISHES**

- Polished Chrome
- Satin Chrome
- Special finishes on request, lead time applies

**TECHNICAL DETAILS**

- Manufactured in Brass
- Fixing to glass by teflon tipped grub screw
- Fixing to wall by counter sunk hole through bracket
- Suits 10mm glass

**GS200 / GS250 Corner Glass Shelf**



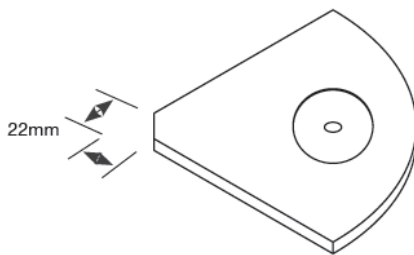
**CORNER GLASS SHELVES**

- GS200 with 200mm radius
- GS250 with 250mm radius

**TECHNICAL DETAILS**

- Available in either 10mm toughened clear glass or 10mm toughened low iron glass

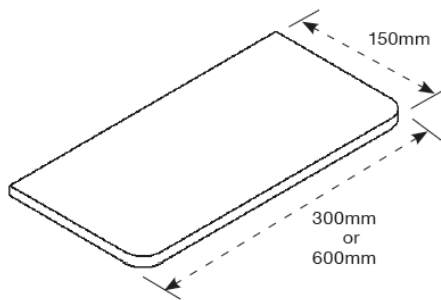
**GS200S Corner Glass Shelf with Soap Recess**



**TECHNICAL DETAILS**

- 10mm toughened glass
- Soap recess
- 20mm radius

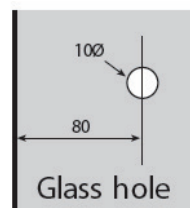
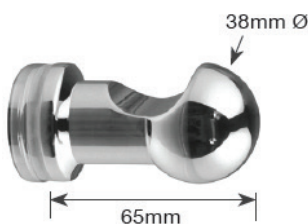
**GSRECT03 / GSRECT04 Rectangular Glass Shelf**



**TECHNICAL DETAILS**

- 10mm toughened glass
- Radius corners
- GSRECT03: 300mm x 150mm
- GSRECT04: 600mm x 150mm

**RH1 Robe Hook**



**AVAILABLE FINISHES**

- Polished Chrome
- Satin Chrome

**TECHNICAL DETAILS**

- Manufactured in solid Brass
- 38mm diameter

## GHASBGG Glass to Glass Shower Bracing Bar



## AVAILABLE FINISHES

- Chrome
- Satin Chrome available on request

## TECHNICAL DETAILS

- Adjusts from 725mm to 1180mm
- Attaches to fixed panels
- Fits 6mm, 8mm, 10mm glass

## GHASBGW Glass to Wall Shower Bracing Bar



## AVAILABLE FINISHES

**BLACK**

- Chrome
- Matte Black
- Satin Chrome available on request

## TECHNICAL DETAILS

- Adjusts from 725mm to 1180mm
- Attaches to fixed panels
- Fits 6mm, 8mm, 10mm glass

## GHASBGW45 Glass to Wall Shower Bracing Bar



## AVAILABLE FINISHES

- Chrome
- Satin Chrome available on request

## TECHNICAL DETAILS

- Adjusts from 725mm to 995mm
- 45° option
- Attaches to fixed panels
- Fits 6mm, 8mm, 10mm glass

## GHA B Glass to Wall Shower Bracing Bar



## AVAILABLE FINISHES

- Chrome
- Satin Chrome available on request

## TECHNICAL DETAILS

- Cut to size to maximum length of 1200mm
- Attaches to fixed panels
- Fits 6mm, 8mm, 10mm glass

## GHA B SQ Square Bracing Bars



ITEM NO. TK-SQ1919



ITEM NO. TKSQ07



ITEM NO. TKSQ0745



ITEM NO. TKSQ106



ITEM NO. TKSQ014



ITEM NO. TKSQ014D



ITEM NO. TKSQ014L



ITEM NO. TKSQ022



ITEM NO. TKSQ02



ITEM NO. TKSQ03



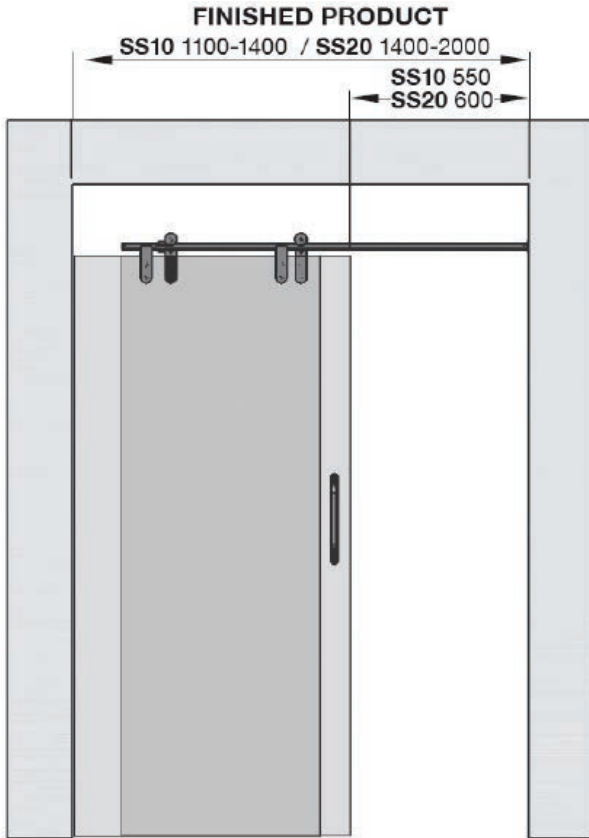
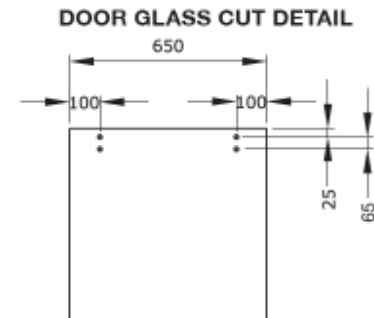
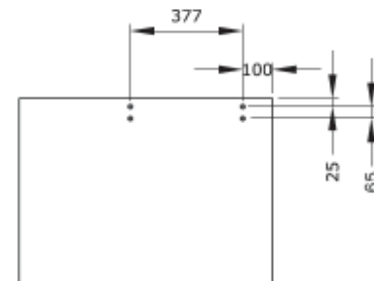
ITEM NO. TKSQ016

### AVAILABLE FINISHES

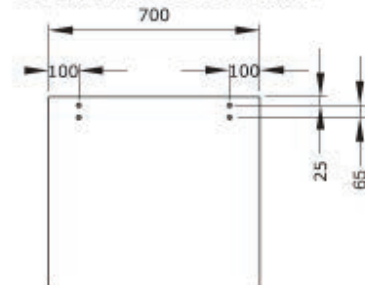
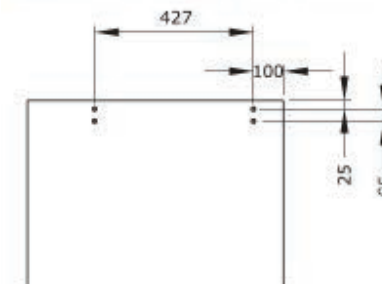
- Chrome

### TECHNICAL DETAILS

- Cut to size to maximum length of 1200mm
- Attaches to fixed panels
- Fits 6mm, 8mm, 10mm glass

**SS10 / SS20 Sliding Shower Kit**

**SS10**

**SIDE PANEL GLASS CUT DETAIL**


Glass hole cutout: 16mm dia

**SS20**
**DOOR GLASS CUT DETAIL**

**SIDE PANEL GLASS CUT DETAIL**


Glass hole cutout: 16mm dia

**AVAILABLE FINISHES**

- Polished Stainless

**TECHNICAL DETAILS**

- Two kit sizes: SS10 1100-1400mm  
SS20 1400-2000mm
- Manufactured in stainless steel
- Suitable for both inline and square showers
- Designed for 8mm toughened glass
- Anti-jump fixing
- Able to be fixed to glass or solid walls
- Glass hole cutout is 16mm diameter
- Recommended max glass width for door 700mm
- 50mm overlap
- Handle to be positioned 30mm from edges of glass

**SS10:**

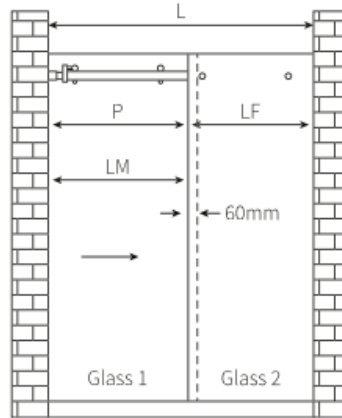
Door Opening 550mm  
Pole length: 1140mm

**SS20:**

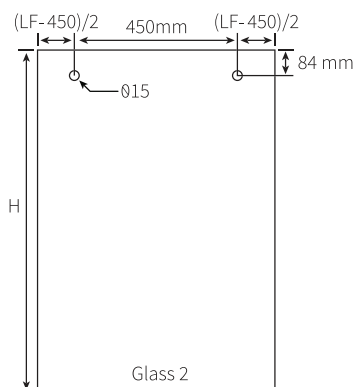
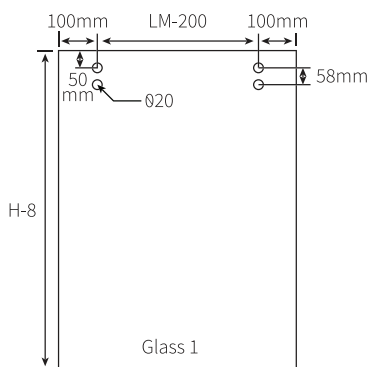
Door opening 600mm  
Pole length 1240mm

**LEAD TIME APPLIES**

**OPTO F001 Shower Kit – Slider Inline**



$L = 1,150\text{mm to }1,650\text{mm}$   $P = L/2$   $LM = P + 60\text{mm}$   $LF = L - l$



**AVAILABLE FINISHES**

- Polished Stainless Steel
- Satin Stainless Steel
- Matte Black

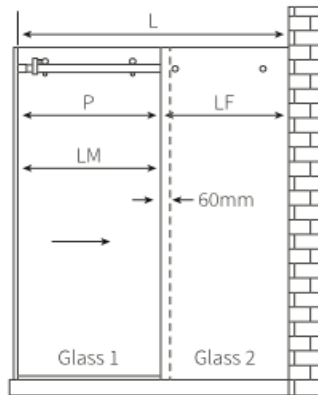
**BLACK**

**TECHNICAL DETAILS**

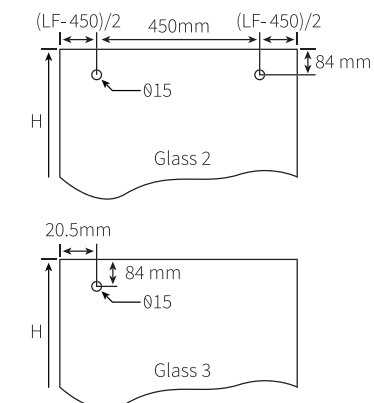
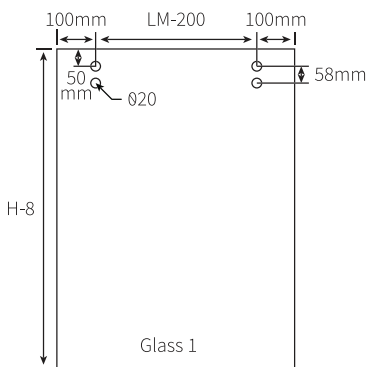
- Manufactured in Stainless steel
- Designed for 10mm toughened glass
- Suitable for both inline and square showers
- Able to be fixed to glass or solid walls
- Maximum hanger load 45kg per door
- Standard rail length - 1650mm

**INSTALLATION GUIDE**

1. Install fixed panel using your preferred method (brackets, channel, etc.)
2. Install the centre of the mounting blocks from the ST01 wall brackets 12mm inside the fixed panel and inline with the centre of the holes on the fixed panel
3. Cut the rail to length allowing clearance either end for the mounting blocks inside the ST01 wall brackets
4. Slide 2 x ST02 door stops onto the rail, one at either end, followed by the ST01 wall bracket sleeves
5. Install the rail onto the fixed panel and wall using the 2 x ST05 button fixings (remove extra nylon washer for 10mm glass) and slide the ST01 wall bracket sleeves over the mounting blocks and tighten grub screws
6. Install the ST04 rollers to the door and hang door on the rail
7. Install the ST04 guides to the door and adjust in conjunction with the rollers
8. Slide the ST02 door stops into position and tighten grub screws
9. Install ST03 floor guide onto bottom of fixed panel and under door.

**OPTO F002 Shower Kit – Slider Square**


$$L = 1,150\text{mm to } 1,650\text{mm} \quad P = L/2 \quad LM = P + 60\text{mm} \quad LF = L - P$$


**AVAILABLE FINISHES**

- Polished Stainless Steel
- Satin Stainless Steel
- Matte Black

**BLACK**
**TECHNICAL DETAILS**

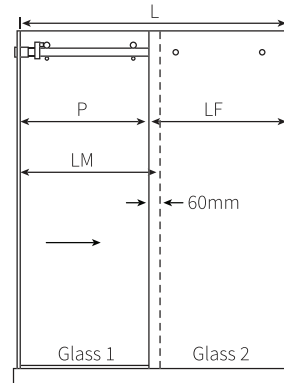
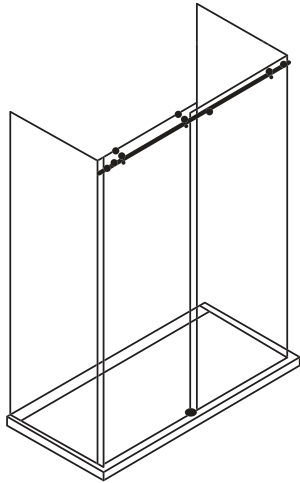
- Manufactured in Stainless steel
- Designed for 10mm toughened glass
- Suitable for both inline and square showers
- Able to be fixed to glass or solid walls
- Maximum hanger load 45kg per door
- Standard rail length - 1650mm

**INSTALLATION GUIDE**

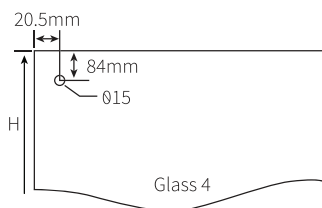
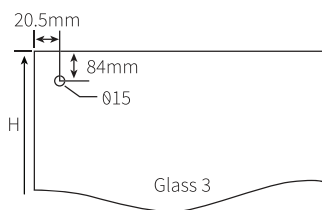
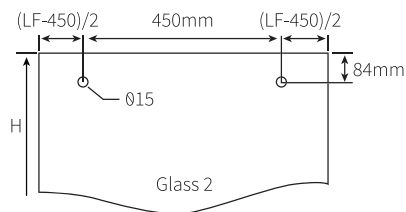
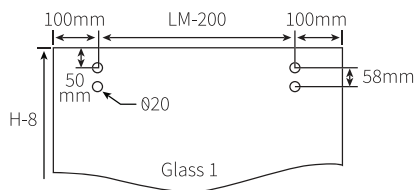
1. Install fixed and side panel using your preferred method (brackets, channel, etc.).
2. Install the mounting block from the ST07 bracket on the side panel.
3. Install the centre of the mounting block from the ST01 wall bracket 12mm inside the fixed panel and inline with the centre of the holes on the fixed panel.
4. Cut the rail to length allowing clearance either end for the mounting blocks inside the ST01 wall bracket and ST07 side panel bracket.
5. Slide 2 x ST02 door stops onto the rail, one at either end, followed by the ST01 wall bracket sleeve and ST07 side panel bracket sleeve.
6. Install the rail onto the fixed panel using the 2 x ST05 button fixings (remove extra nylon washer for 10mm glass). Slide the ST01 wall bracket sleeve and ST07 side panel bracket sleeve over the mounting blocks and tighten grub screws.
7. Install the ST04 rollers to the door and hang door on the rail.
8. Install the ST04 guides to the door and adjust in conjunction with the rollers.
9. Slide the ST02 door stops into position and tighten grub screws.
10. Install ST03 floor guide onto bottom of fixed panel and under door.



**OPTO F003 Shower Kit – Slider Trio**



$L = 1,150\text{mm to }1,650\text{mm}$     $P = L/2$     $LM = P + 60\text{mm}$     $LF = l$



**AVAILABLE FINISHES**

**BLACK**

- Polished Stainless Steel
- Satin Stainless Steel
- Matte Black

**TECHNICAL DETAILS**

- Manufactured in Stainless steel
- Designed for 10mm toughened glass
- Suitable for both inline and square showers
- Able to be fixed to glass or solid walls
- Maximum hanger load 45kg per door
- Standard rail length - 1650mm

**INSTALLATION GUIDE**

1. Install fixed and side panels using your preferred method (brackets, channel, etc.).
2. Install the mounting blocks from the ST07 bracket on the side panels.
3. Cut the rail to length allowing clearance either end for the mounting blocks inside the ST07 side panel brackets.
4. Slide 2 x ST02 door stops onto the rail, one at either end, followed by the ST07 side panel bracket sleeves.
5. Install the rail onto the fixed panel using the 2 x ST05 button fixings (remove extra nylon washer for 10mm glass). Slide the ST07 side panel bracket sleeves over the mounting blocks and tighten the grubscrews.
6. Install the ST04 rollers to the door and hang door on the rail.
7. Install the ST04 guides to the door and adjust in conjunction with the rollers.
8. Slide the ST02 door stops into position and tighten grub screws.
9. Install ST03 floor guide onto bottom of fixed panel and under door.

**SLY-001 / SLY-002 / SLY-003 Sliding 3-Door Screen****AVAILABLE FINISHES**

- Natural Anodised
- Special finishes upon request

**TECHNICAL DETAILS**

- Suitable for 6mm and 8mm toughened glass
- Return can be 10mm toughened glass

## HSS HydroSlider



### AVAILABLE FINISHES

- Chrome
- Satin Chrome

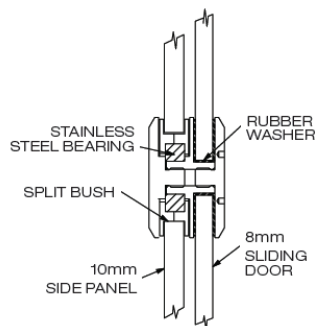


### TECHNICAL DETAILS

- Versatile design – wall-to-wall, corner or three sided configurations
- Fixed panels can be fitted either side or above the sliding door
- Safe and secure door fastening. NO derailment problems
- Recommended use of 8mm or 10mm thick grade A, toughened safety glass



## SS21 Euroglide Rollers



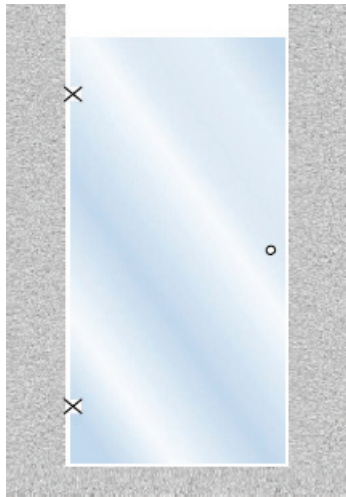
### AVAILABLE FINISHES

- Polished Stainless
- Satin Chrome

### TECHNICAL DETAILS

- 50mm s/s discs with s/s bearings and black acetyl bush (two required per door)
- Designed to fit with 8mm glass door and 10mm glass side panel featuring glass cut-out, as supplied by Viridian Glass

## GHA-FSA Frameless Shower Layout – Type A



Plan View



Tight Size

### AVAILABLE FINISHES

- Chrome
- Satin Chrome

### TECHNICAL DETAILS

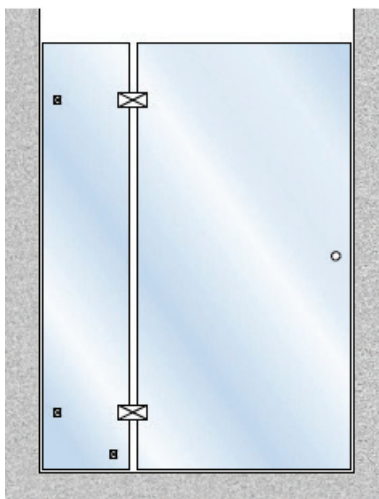
#### Hardware Required:

- 2 x ES1 Hinges
- 1 x SK40 Knob
- 1 x Type A Water Seal
- 1 x Water Bar – HR1

#### Door Clearance

- No water seal or waterbar – 4mm
- Type A water seal only – 10mm
- Waterbar only – 9mm
- Type A water seal and waterbar – 15mm

## GHA-FSB Frameless Shower Layout – Type B



Plan View



Tight Size

### AVAILABLE FINISHES

- Chrome
- Satin Chrome

### TECHNICAL DETAILS

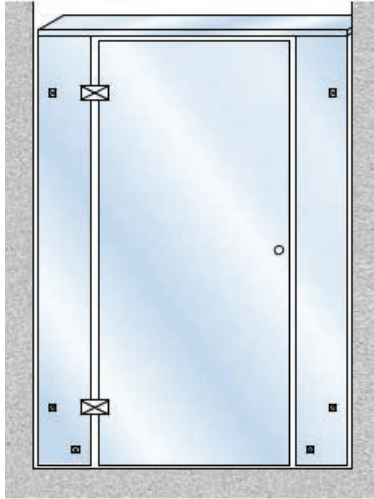
#### Hardware Required:

- 2 x ES2 Hinges
- 1 x SK40 Knob
- 2 x SB50SQ Brackets
- 1 x Type A Water Seal
- 1 x Water Bar – HR1

#### Door Clearance

- No water seal or waterbar – 4mm
- Type A water seal only – 10mm
- Waterbar only – 9mm
- Type A water seal and waterbar – 15mm

## GHA-FSC Frameless Shower Layout – Type C



Plan View



Tight Size

### AVAILABLE FINISHES

- Chrome
- Satin Chrome

### TECHNICAL DETAILS

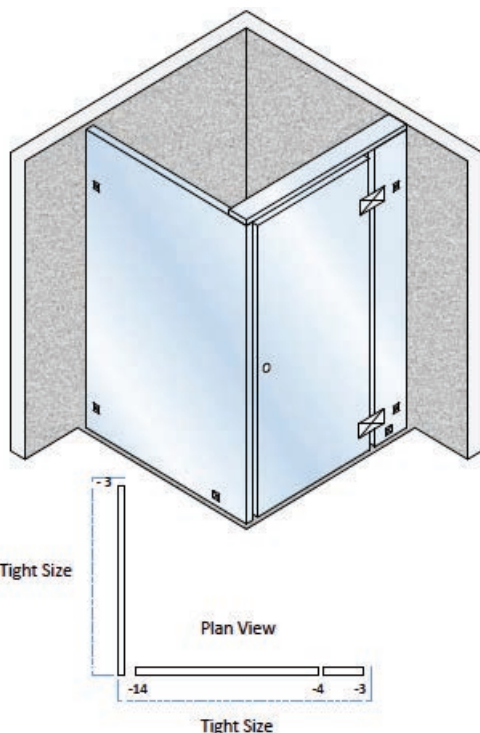
#### Hardware Required:

- 2 x ES2 Hinges
- 1 x SK40 Knob
- 4 x SB50SQ Brackets
- 1 x Type A Water Seal
- 1 x Water Bar – HR1

#### Door Clearance

- No water seal or waterbar – 4mm
- Type A water seal only – 10mm
- Waterbar only – 9mm
- Type A water seal and waterbar – 15mm
- Glass header bar – 3mm

## GHA-FSD Frameless Shower Layout – Type D



Tight Size

Plan View



Tight Size

### AVAILABLE FINISHES

- Chrome
- Satin Chrome

### TECHNICAL DETAILS

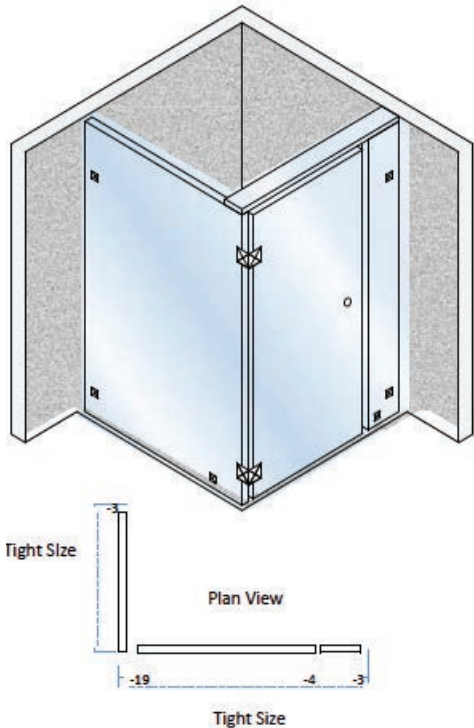
#### Hardware Required:

- 2 x ES2 Hinges
- 1 x SK40 Knob
- 4 x SB50SQ Brackets
- 1 x Type A Water Seal
- 1 x Water Bar – HR1

#### Door Clearance

- No water seal or waterbar – 4mm
- Type A water seal only – 10mm
- Waterbar only – 9mm
- Type A water seal and waterbar – 15mm
- Glass header bar – 3mm

### GHA-FSE Frameless Shower Layout – Type E



#### AVAILABLE FINISHES

- Chrome
- Satin Chrome

#### TECHNICAL DETAILS

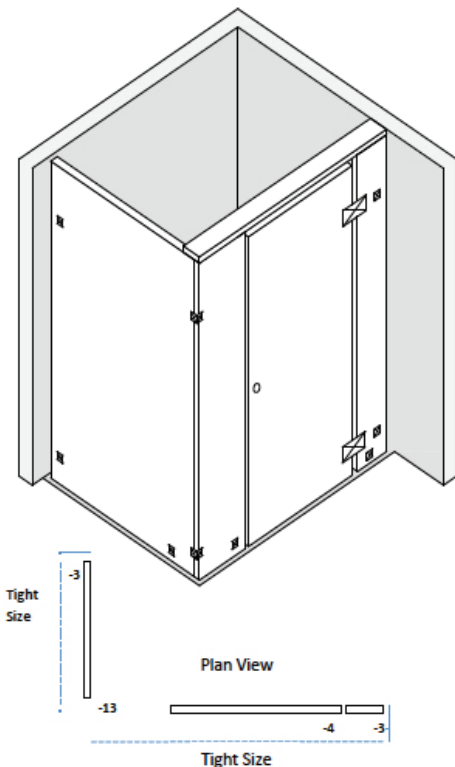
##### Hardware Required:

- 2 x ES2-90 Hinges
- 1 x SK40 Knob
- 4 x SB50SQ Brackets
- 1 x Type A Water Seal
- 1 x Water Bar – HR1

##### Door Clearance

- No water seal or waterbar – 4mm
- Type A water seal only – 10mm
- Waterbar only – 9mm
- Type A water seal and waterbar – 15mm
- Glass header bar – 3mm

### GHA-FSF Frameless Shower Layout – Type F



#### AVAILABLE FINISHES

- Chrome
- Satin Chrome

#### TECHNICAL DETAILS

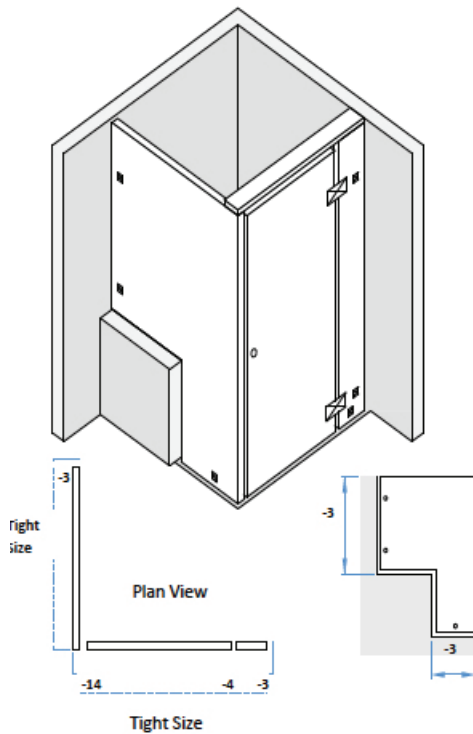
##### Hardware Required:

- 2 x ES2 Hinges
- 1 x SK40 Knob
- 2 x SB50SQ Brackets
- 1 x Type A Water Seal
- 1 x Water Bar – HR1

##### Door Clearance

- No water seal or waterbar – 4mm
- Type A water seal only – 10mm
- Waterbar only – 9mm
- Type A water seal and waterbar – 15mm
- Glass header bar – 3mm

## GHA-FSG Frameless Shower Layout – Type G



### AVAILABLE FINISHES

- Chrome
- Satin Chrome

### TECHNICAL DETAILS

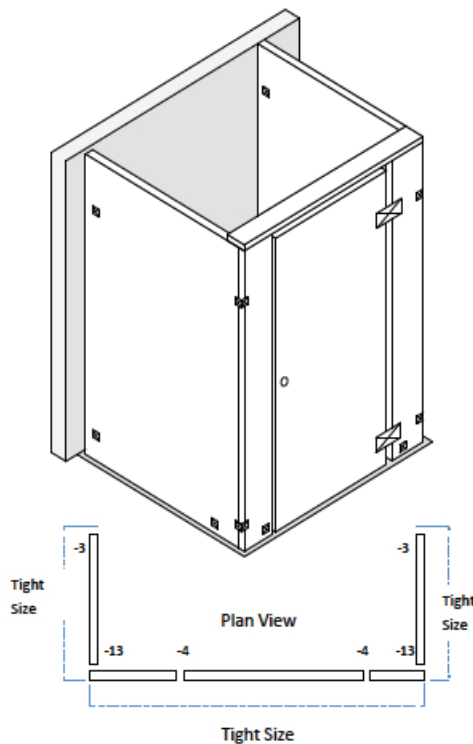
#### Hardware Required:

- 2 x ES2 Hinges
- 1 x SK40 Knob
- 4 x SB50SQ Brackets
- 1 x Type A Water Seal
- 1 x Water Bar – HR1

#### Door Clearance

- No water seal or waterbar – 4mm
- Type A water seal only – 10mm
- Waterbar only – 9mm
- Type A water seal and waterbar – 15mm
- Glass header bar – 3mm

## GHA-FSH Frameless Shower Layout – Type H



### AVAILABLE FINISHES

- Chrome
- Satin Chrome

### TECHNICAL DETAILS

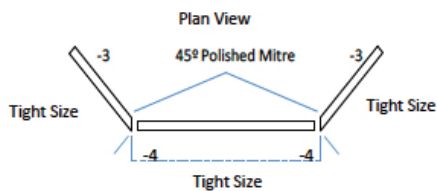
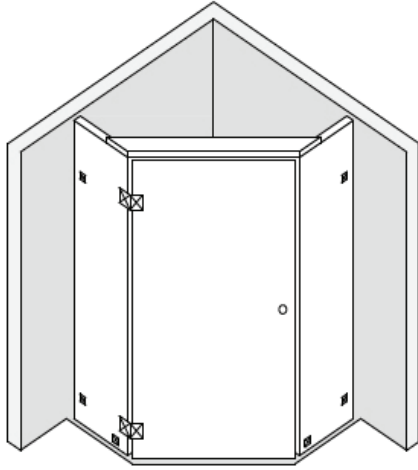
#### Hardware Required:

- 2 x ES2 Hinges
- 1 x SK40 Knob
- 4 x SB50SQ Brackets
- 1 x Type A Water Seal
- 1 x Water Bar – HR1

#### Door Clearance

- No water seal or waterbar – 4mm
- Type A water seal only – 10mm
- Waterbar only – 9mm
- Type A water seal and waterbar – 15mm
- Glass header bar – 3mm

### GHA-FSI Frameless Shower Layout – Type I



#### AVAILABLE FINISHES

- Chrome
- Satin Chrome

#### TECHNICAL DETAILS

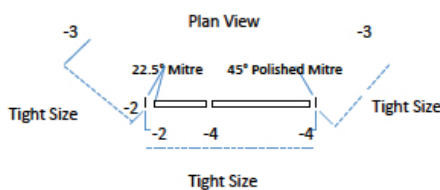
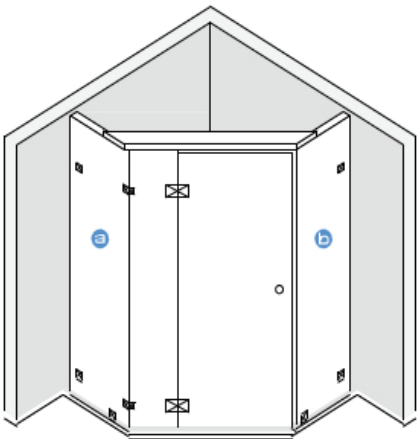
##### Hardware Required:

- 2 x ES2-135 Hinges
- 1 x SK40 Knob
- 4 x SB50SQ Brackets
- 1 x Type A Water Seal
- 1 x Water Bar – HR1

##### Door Clearance

- No water seal or waterbar – 4mm
- Type A water seal only – 10mm
- Waterbar only – 9mm
- Type A water seal and waterbar – 15mm
- Glass header bar – 3mm

### GHA-FSJ Frameless Shower Layout – Type J



#### AVAILABLE FINISHES

- Chrome
- Satin Chrome

#### TECHNICAL DETAILS

##### Hardware Required:

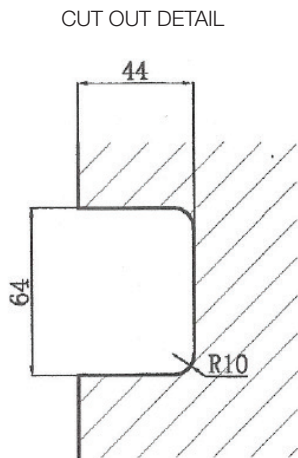
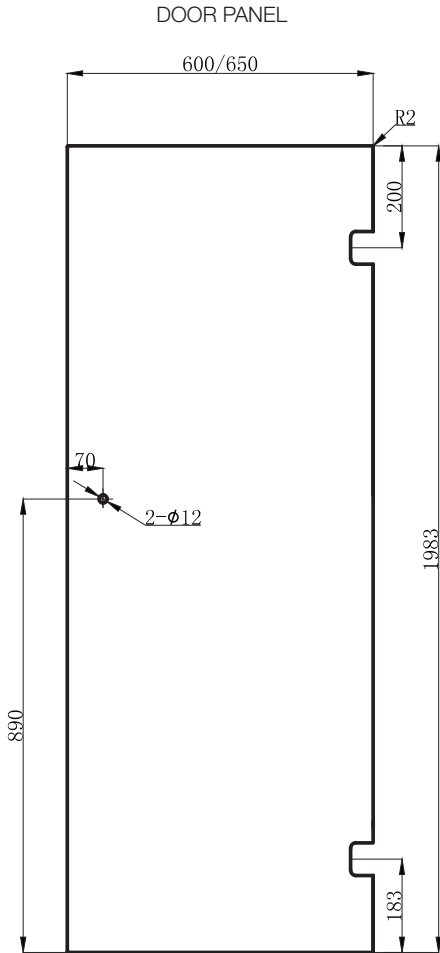
- 2 x ES2-135 Hinges
- 1 x SK40 Knob
- 4 x SB50SQ Brackets
- 1 x Type A Water Seal
- 1 x Water Bar – HR1

##### Door Clearance

- No water seal or waterbar – 4mm
- Type A water seal only – 10mm
- Waterbar only – 9mm
- Type A water seal and waterbar – 15mm
- Glass header bar – 3mm



**GHA-SSSP-01 Standard Shower Screen Glass**



**TECHNICAL DETAILS**

10mm toughened glass

**AVAILABLE SIZES**

**Hinge Panels with Holes:**

180, 185, 190, 200, 205, 210, 215, 220, 225, 230, 235, 240, 245, 250, 255, 260, 265, 270, 275, 280, 285, 290, 295, 300, 305, 310, 315, 320, 325, 330, 335, 340, 345, 350, 355, 360, 365, 370, 375, 380, 385, 390, 395, 400, 450, 500, 550 and 600mm

**Door Panel:**

(1985mm high)

600, 610, 620, 630, 640 and 650mm wide

**Return Panels with Holes:**

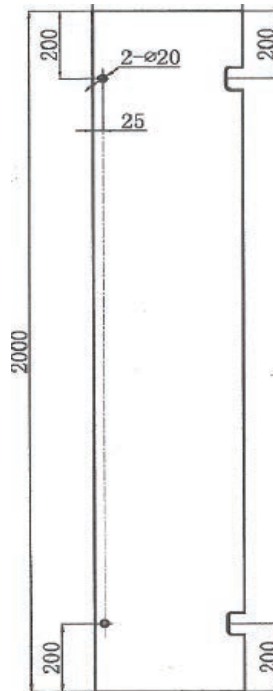
600, 650, 700, 750, 800, 825, 830, 835, 840, 845, 850, 855, 860, 865, 870, 875, 880, 885, 890, 895, 900, 905, 910, 915, 920, 925, 930, 935, 940, 945, 950, 955, 960, 965, 970, 975, 980, 985, 990, 995, 1000, 1005, 1010, 1015, 1020, 1025, 1030, 1035, 1040, 1045, 1050, 1055, 1060, 1065, 1070, 1075, 1080, 1085, 1090, 1095, 1100, 1150 and 1200mm

**Return Panel:**

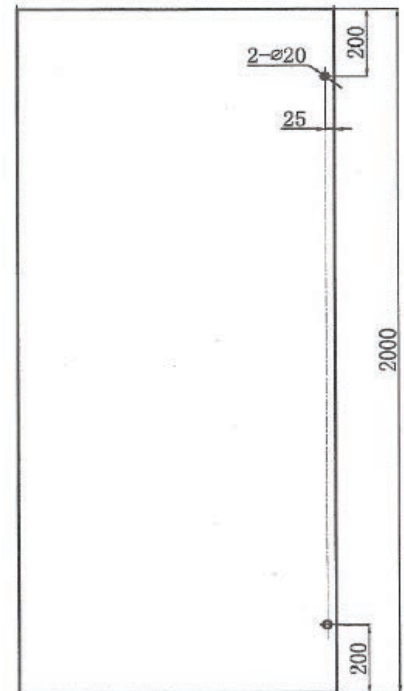
(No holes and 2000mm high)

595mm, 695mm, 795mm, 850mm, 895mm, 995mm, 1095mm, 1195mm

HINGE PANEL

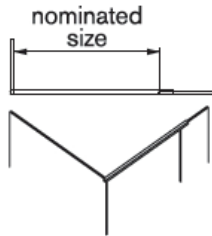


RETURN PANEL

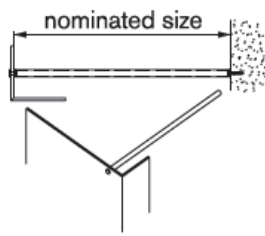


## Headers

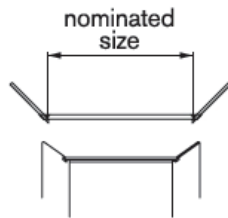
Type A



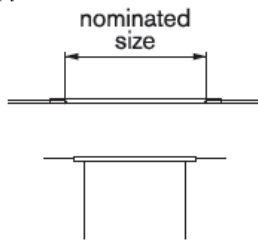
Type B (hole in glass)



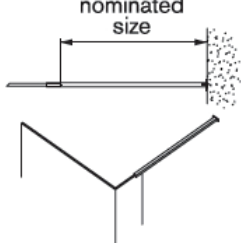
Type C



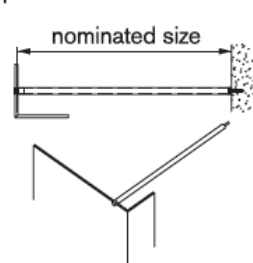
Type D



Type E



Type F



When extra bracing is required for a frameless shower, we provide a number of solutions. A header across the top of the enclosure can stabilise an oversized panel.

**AVAILABLE FINISHES**

- Polished Chrome
- Satin Chrome
- Special Finishes on request, lead time applies

**TECHNICAL DETAILS**

Custom lengths and angles available on request

**Header A**

- Side Panel to return
- 16mm square pole
- Mounted on glass

**Header B**

- Wall to return
- 25mm round pole
- 12mm hole in glass
- Mounted through glass

**Header C**

- Side panel to side panel, quad
- 16mm square pole
- Mounted on glass

**Header D**

- Side panel to side panel
- 16mm square pole
- Mounted on glass

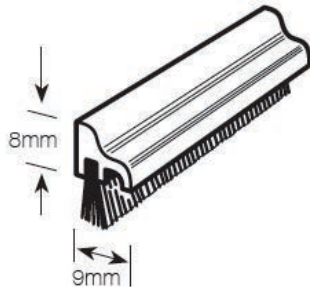
**Header E**

- Wall to Side Panel
- 16mm square pole
- Mounted on glass

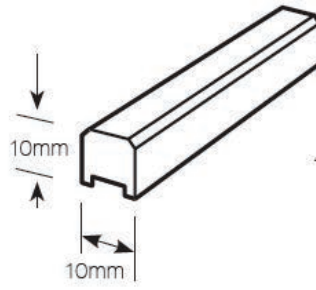
**Header F**

- Wall to return panel
- 25mm round hole
- Mounted to glass

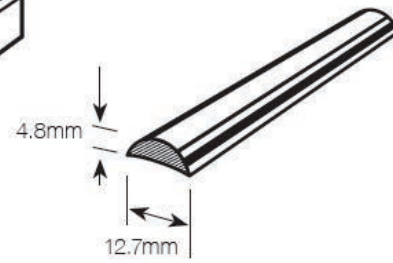
**WS1 / WS3 / HR1 Water Bars**



**WS1**



**WS3**



**HR1**

**AVAILABLE FINISHES**

- Polished anodised
- Satin anodised
- Special Finishes on request, lead time applies

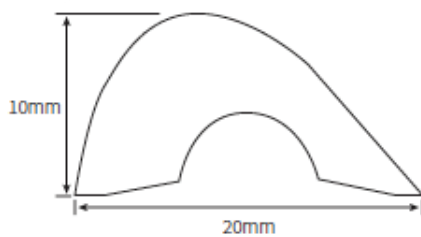
**TECHNICAL DETAILS**

- Extruded aluminium
- Cut lengths available

**STOCK LENGTHS**

- WS1 – 2m
- WS3 – 3m
- HR1 – 1.5m

**GHAB10 Water Bar**



**AVAILABLE FINISHES**

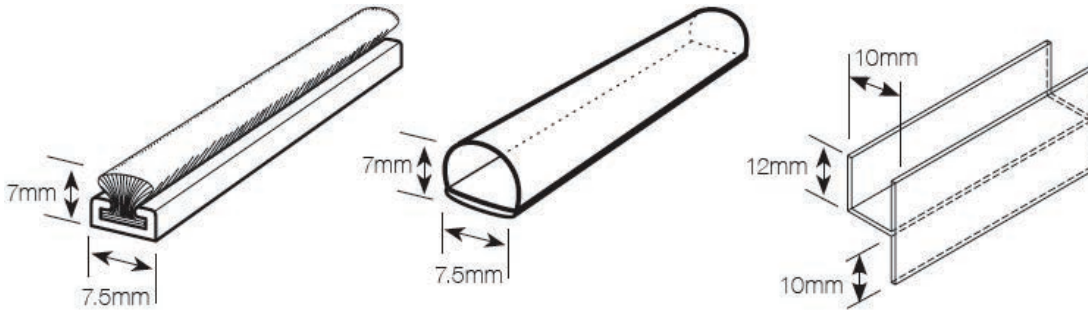
- Polished anodised
- Satin anodised
- Special Finishes on request, lead time applies

**TECHNICAL DETAILS**

- Extruded aluminium
- Cut lengths available

**STOCK LENGTHS**

- 2.1m

**DS2 / DS4 / DS5 Door Seals**


DS2

DS4

DS5

**DS2 SECTION**

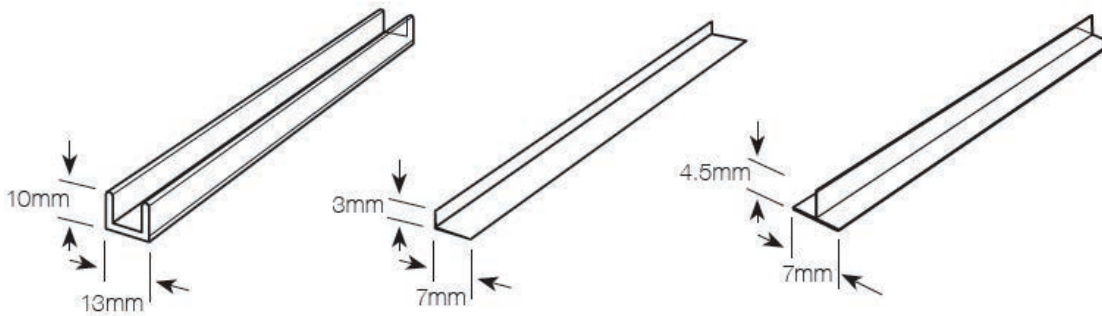
- Felt in silver anodised extrusion (satin/polished)
- 2m length

**DS4 D SHAPED SEAL**

- Rigid back PVC with flexible PVC seal
- 2m length

**DS5 DOOR SEAL**

- Clear plastic
- Suit 10mm glass
- 2.2m length

**DS10 / LS1 / TS1 Door Seals**


DS10

LS1

TS1

**DS10 SECTION**

- Clear plastic U channel
- Suit 10mm glass
- 2m length

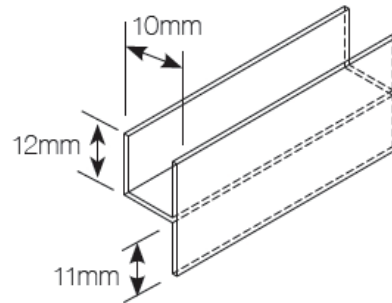
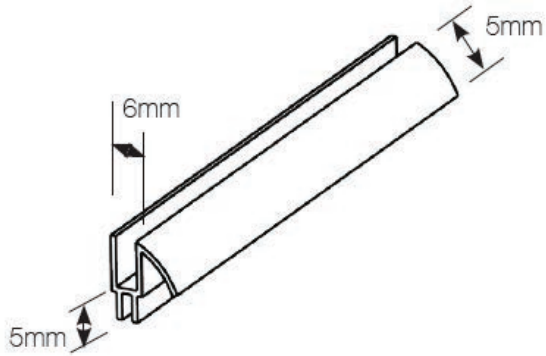
**LS1 L SHAPED SEAL**

- Rigid back PVC with flexible PVC seal
- 2m length

**TS1 T DOOR SEAL**

- Rigid back PVC with flexible PVC seal
- 2m length

## GHA-W506-10 / GHA-WS06 Clear PVC Water Seals

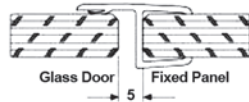


### TECHNICAL DETAILS

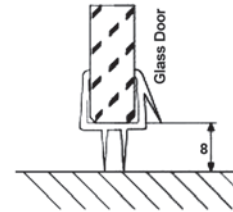
- 2m and 2.2m stock lengths

**GHA-WS10 / GHA-WS06 Clear PVC Water Seals**

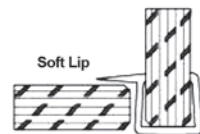
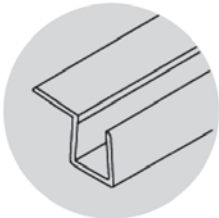
GHA-WS-10-03



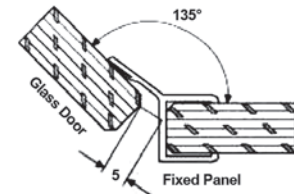
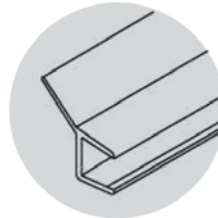
GHA-WS-10-10



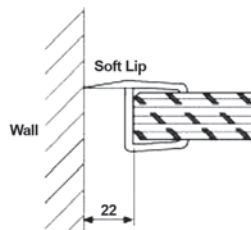
GHA-WS-10-04



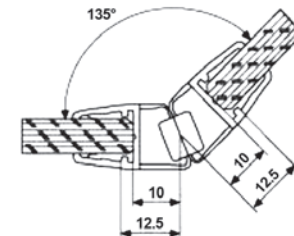
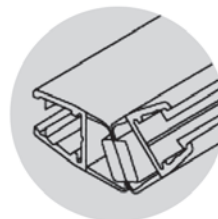
GHA-WS-10-135



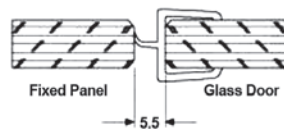
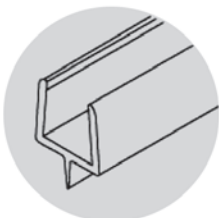
GHA-WS-10-05



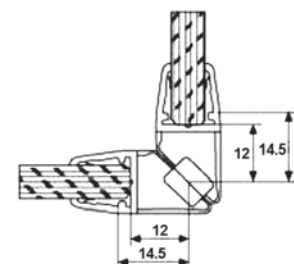
GHA-WS-10-135M



GHA-WS-10-06



GHA-WS-10-90M

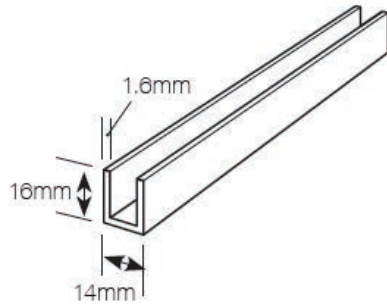

**AVAILABLE FINISHES**

- Clear Plastic

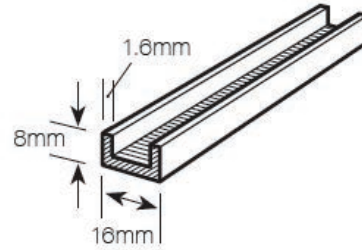
**TECHNICAL DETAILS**

- Suits 8mm, 10mm and 12mm glass
- Stock lengths of 2.2m
- Magnetic strips available for GHA-WS-10-135M and GHA-WS-10-90M

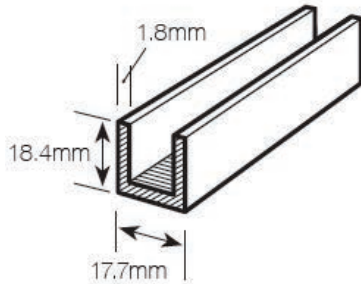
**CH15 / CH16 / CH18 / CH25 / HS18 Channels**



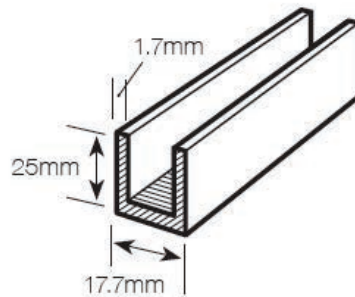
**CH15**



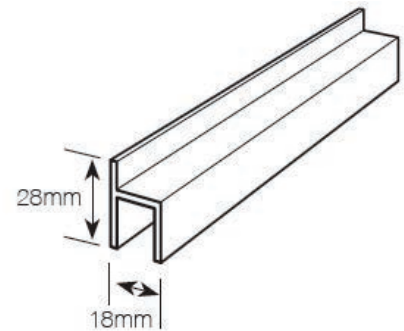
**CH16**



**CH18**



**CH25**



**HS18**

**AVAILABLE FINISHES**

- Polished anodised
- Satin anodised (except for CH25)
- Special Finishes on request, lead time applies

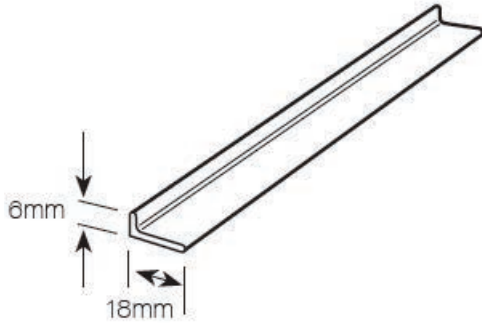
**TECHNICAL DETAILS**

- Extruded aluminium

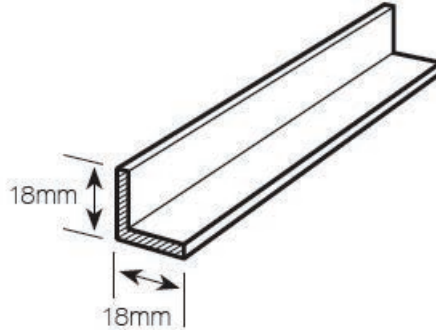
**STOCK LENGTHS**

- CH15 - 3m
- CH16 - 2.5m
- CH18 - 2.1 or 3m
- CH25 - 2.1 or 3m
- HS18 - 3m

## AS1 / AS18 Angles



AS1



AS18

### AVAILABLE FINISHES

- Polished anodised
- Satin anodised
- Special Finishes on request, lead time applies

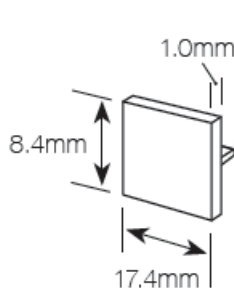
### TECHNICAL DETAILS

- Extruded aluminium
- Cut lengths available

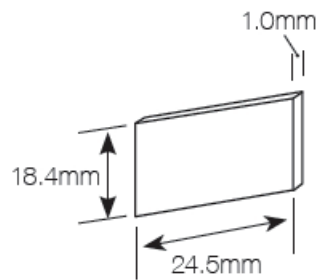
### STOCK LENGTHS

- AS1 – 2m
- AS18 – 3m

## EC1 / EC45 End Caps



EC1



EC45

### AVAILABLE FINISHES

- Polished anodised
- Satin anodised
- Special Finishes on request, lead time applies

### TECHNICAL DETAILS

- Extruded aluminium

### STOCK LENGTHS

- EC1 to suit CH18
- EC45 to suit 45° mitre CH18/CH25



## GHA Solutions Warranty Information (DATED: 01 JULY 2017)

**SHOWER HARDWARE**

GHA Solutions guarantee our product against faulty workmanship or defective materials for a period of ten (10) years from the date of purchase.

Products will be replaced at no charge to the purchaser once the defect has been thoroughly inspected and confirmed.

This warranty does NOT apply if defects are found to be caused by the following:

1. If the product has been altered in any way
2. The product has been subject to incorrect mechanical fixing techniques
3. The product has been installed outside of the specifications of its use
4. The product has been subject to abnormal stresses from loading, heat, building or foundation movement
5. Faulty workmanship of any person in the installation of the product
6. Defect in any framework or substrate to which the product has been installed supporting the product.

The replacement is solely for the product only. GHA Solutions will not be liable for the dismantling, return or reassembly of the product at site or to any structure to which it is affixed.

Repairs or replacement under this warranty do not extend the warranty period and do not initiate a new warranty period. The warranty period for any replacement parts ends together with the warranty for the entire product.