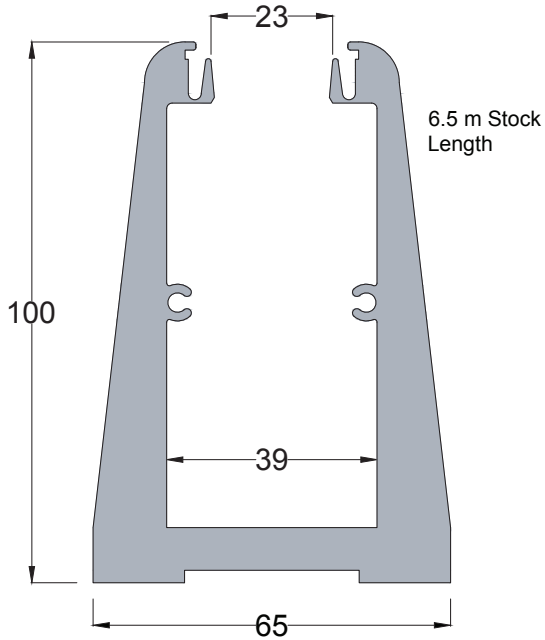


## GHAT Balustrade Glazing Channel



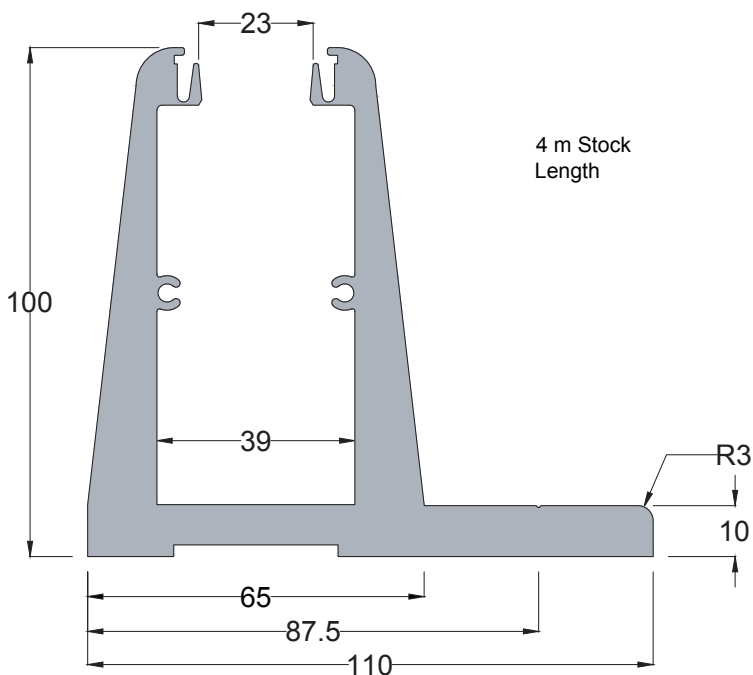
### AVAILABLE FINISHES

- Mill finish
- Special colours on request

### TECHNICAL DETAILS

- 6.5m stock length
- Suitable for 12mm glass

## GHAT-LEG Balustrade Glazing Channel



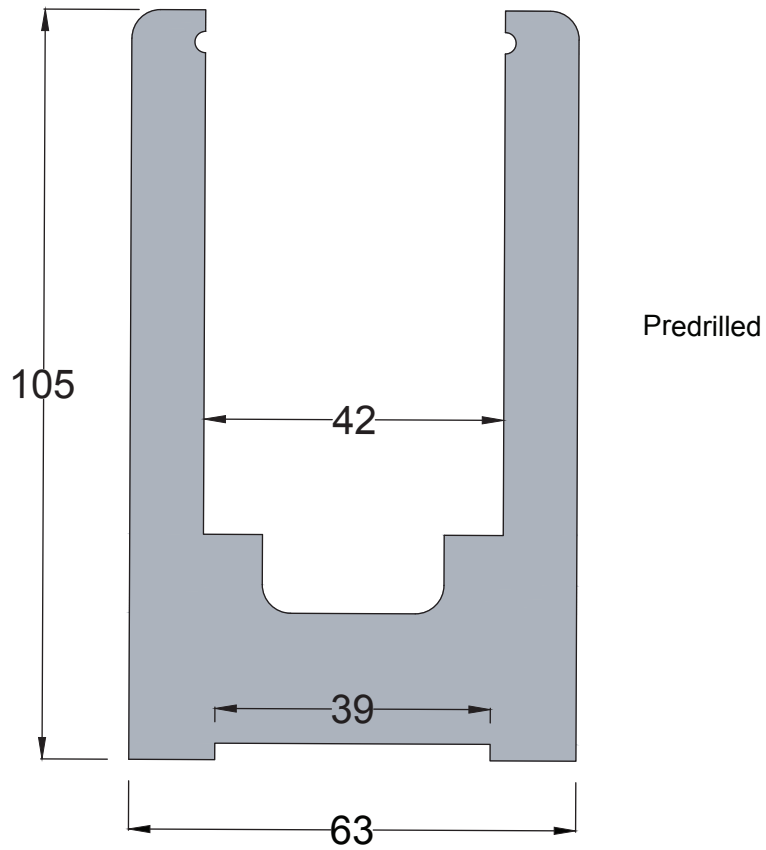
### AVAILABLE FINISHES

- Mill finish
- Special colours on request

### TECHNICAL DETAILS

- 4m stock length
- Suitable for 12mm glass

## GHAL Balustrade Glazing Channel



## AVAILABLE FINISHES

- Mill finish
- Special colours on request

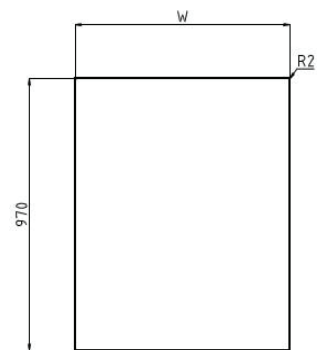
## TECHNICAL DETAILS

- 6m stock length
- Suitable for 12 and 15mm glass

## GLASS BALUSTRADE PANELS 12mm Standard Panels

## 12mm Standard Panels with Polished Edges &amp; 2mm Polished Radius

CODE	WIDE (mm)	HEIGHT (mm)	AREA (sqm)
BG12-100	100	970	0.10
BG12-150	150	970	0.15
BG12-200	200	970	0.19
BG12-250	250	970	0.24
BG12-300	300	970	0.29
BG12-350	400	970	0.34
BG12-400	400	970	0.38
BG12-450	450	970	0.44
BG12-500	500	970	0.48
BG12-550	550	970	0.53
BG12-600	600	970	0.58
BG12-650	650	970	0.63
BG12-700	700	970	0.67
BG12-750	750	970	0.73
BG12-800	800	970	0.77
BG12-850	850	970	0.82
BG12-900	900	970	0.87
BG12-950	950	970	0.92
BG12-1000	1000	970	0.97
BG12-1050	1050	970	1.01
BG12-1100	1100	970	1.06
BG12-1150	1150	970	1.11
BG12-1200	1200	970	1.16
BG12-1250	1250	970	1.21
BG12-1300	1300	970	1.26
BG12-1350	1350	970	1.3
BG12-1400	1400	970	1.36
BG12-1450	1450	970	1.4
BG12-1500	1500	970	1.45
BG12-1550	1550	970	1.5
BG12-1600	1600	970	1.55
BG12-1650	1650	970	1.6
BG12-1700	1700	970	1.65
BG12-1750	1750	970	1.7
BG12-1800	1800	970	1.75
BG12-1850	1850	970	1.79
BG12-1900	1900	970	1.85
BG12-1950	1950	970	1.89
BG12-2000	2000	970	1.94

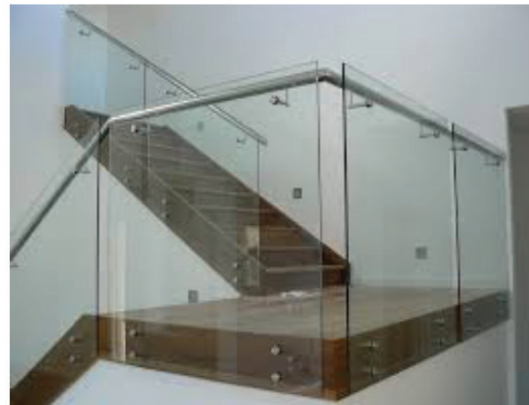
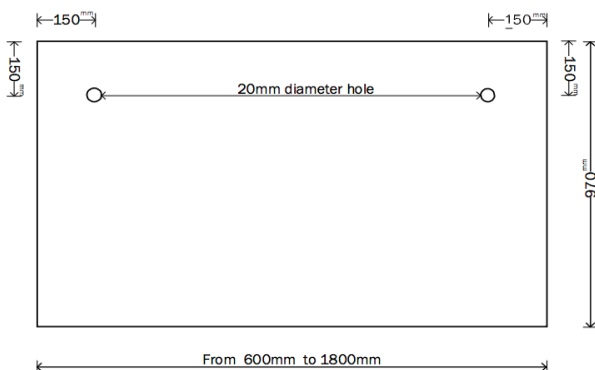


## GLASS BALUSTRADE PANELS With 2 Holes

## Balustrade Panels with 2 Holes

CODE	WIDE (mm)	HEIGHT (mm)	AREA (sqm)
BGHG12-600	600	970	0.58
BGHG12-650	650	970	0.63
BGHG12-700	700	970	0.68
BGHG12-750	750	970	0.73
BGHG12-800	800	970	0.78
BGHG12-850	850	970	0.82
BGHG12-900	900	970	0.87
BGHG12-950	950	970	0.92
BGHG12-1000	1000	970	0.97
BGHG12-1050	1050	970	1.02
BGHG12-1100	1100	970	1.07
BGHG12-1150	1150	970	1.12
BGHG12-1200	1200	970	1.16
BGHG12-1250	1250	970	1.21
BGHG12-1300	1300	970	1.26
BGHG12-1350	1350	970	1.31
BGHG12-1400	1400	970	1.36
BGHG12-1450	1450	970	1.41
BGHG12-1500	1500	970	1.46
BGHG12-1550	1550	970	1.5
BGHG12-1600	1600	970	1.55
BGHG12-1650	1650	970	1.6
BGHG12-1700	1700	970	1.65
BGHG12-1750	1750	970	1.7
BGHG12-1800	1800	970	1.75

## Balustrade Glass with Holes for Handrail

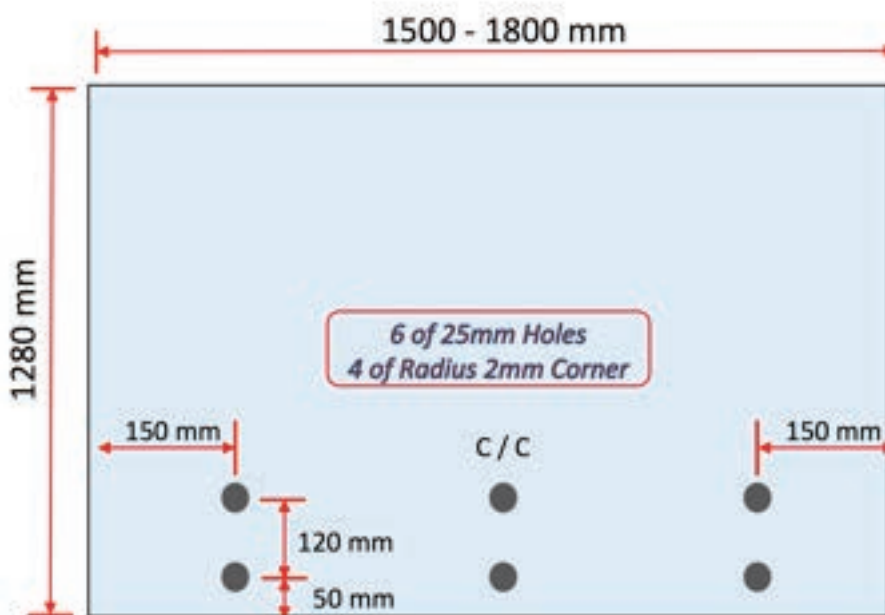
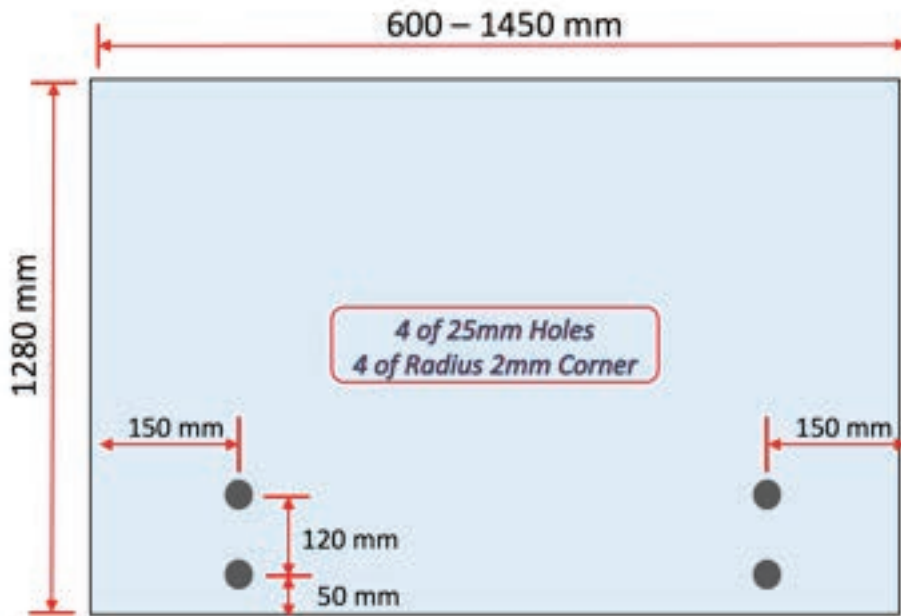


## GLASS BALUSTRADE PANELS 4 / 6 Holes

## Balustrade Panels with 4/6 Holes

CODE	WIDE (mm)	HEIGHT (mm)	AREA (sqm)	HOLES
BGHG12-600	600	1280	0.77	4 Holes
BGHG12-650	650	1280	0.83	4 Holes
BGHG12-700	700	1280	0.90	4 Holes
BGHG12-750	750	1280	0.96	4 Holes
BGHG12-800	800	1280	1.02	4 Holes
BGHG12-850	850	1280	1.09	4 Holes
BGHG12-900	900	1280	1.15	4 Holes
BGHG12-950	950	1280	1.22	4 Holes
BGHG12-1000	1000	1280	1.28	4 Holes
BGHG12-1050	1050	1280	1.34	4 Holes
BGHG12-1100	1100	1280	1.41	4 Holes
BGHG12-1150	1150	1280	1.47	4 Holes
BGHG12-1200	1200	1280	1.54	4 Holes
BGHG12-1250	1250	1280	1.60	4 Holes
BGHG12-1300	1300	1280	1.66	4 Holes
BGHG12-1350	1350	1280	1.73	4 Holes
BGHG12-1400	1400	1280	1.79	4 Holes
BGHG12-1450	1450	1280	1.86	4 Holes
BGHG12-1500	1500	1280	1.92	6 Holes
BGHG12-1550	1550	1280	1.98	6 Holes
BGHG12-1600	1600	1280	2.05	6 Holes
BGHG12-1650	1650	1280	2.11	6 Holes
BGHG12-1700	1700	1280	2.18	6 Holes
BGHG12-1750	1750	1280	2.24	6 Holes
BGHG12-1800	1800	1280	2.30	6 Holes

## 12MM TOUGHENED GLASS Side Fixing Standard Size Panel



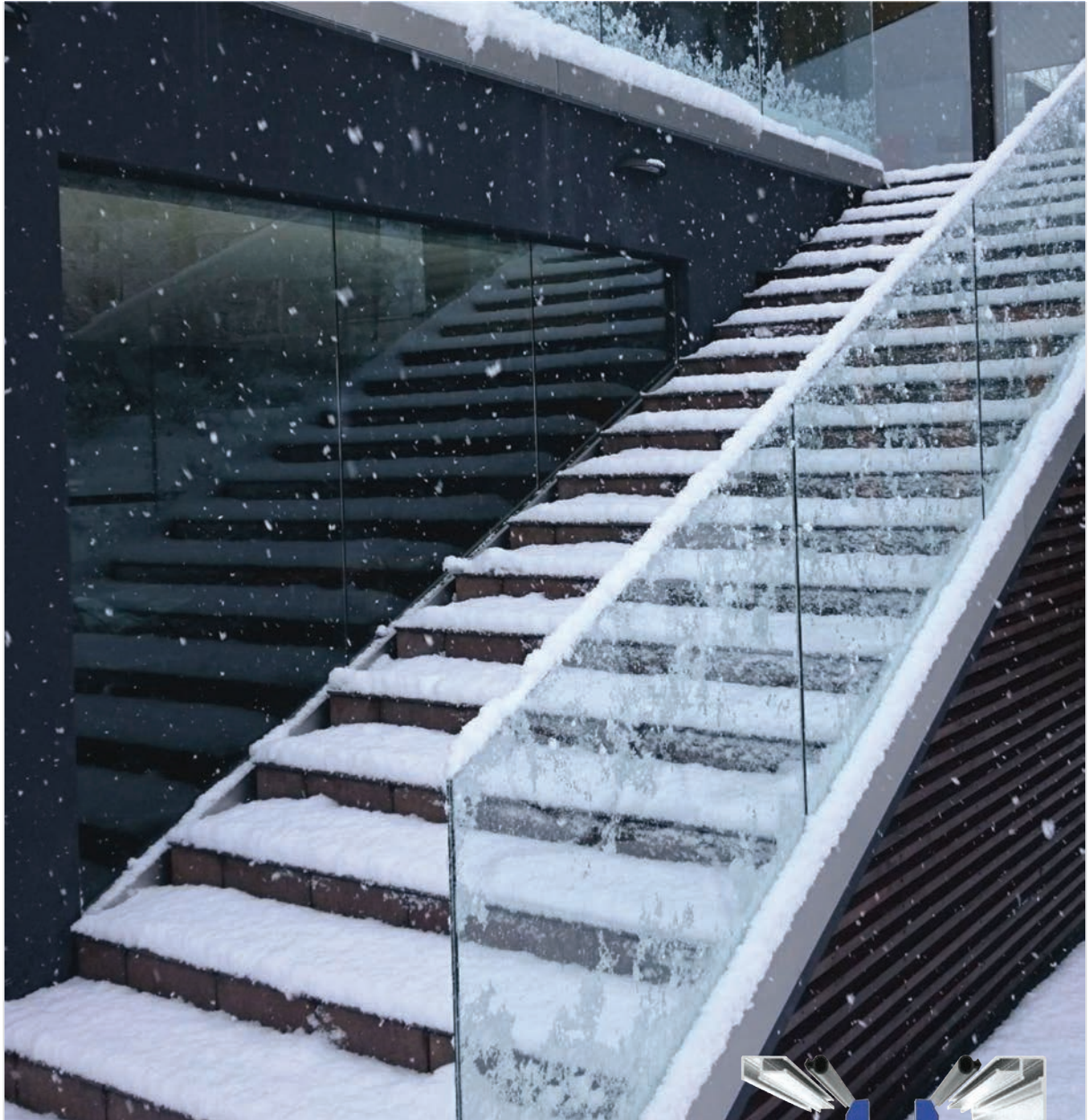
## AVAILABLE FINISHES

- 12mm Clear Toughened Glass

## TECHNICAL DETAILS

- Side fixing standard size panel

Posiglaze Basemount and Side Fix



posiglaze  
Frameless Glass Balustrade Solutions





## Posiglaze Basemount and Side Fix

### Posiglaze is our innovative aluminium railing system

#### FAST INSTALLATION

Designed to be installed without the need of ensuring the fitting surface is totally level.

#### FULLY ADJUSTABLE AFTER INSTALLATION

Posiglaze uses a unique, simple adjustment system allowing horizontal alignment of each glass panel.

#### LIGHT WEIGHT AND EXTREMELY STRONG

Cleverly designed out of extruded aluminium, saving weight yet keeping strength. For added protection we anodise our system increasing protection against the elements.

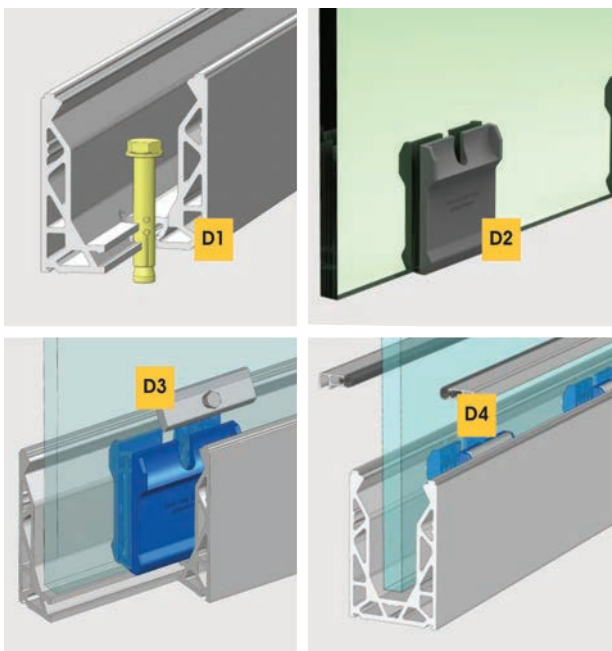
#### EXCELLENTLY ENGINEERED

Our system is tested & engineered to meet the strictest building regulations (with the appropriate fixing and glass thickness) in both domestic and commercial installations. It can be installed in a wide variety of applications.

#### GLASS THICKNESSES

- 12mm (toughened glass)
- 13.5mm (toughened laminate)
- 15mm (toughened glass)
- 17.5mm (toughened laminate)
- 19mm (toughened glass)
- 21.5mm (toughened laminate)

NOTE: ALL GLASS CLAMPS HAVE A 1MM TOLERANCE TO ACCEPT VARYING INTERLAYER THICKNESSES

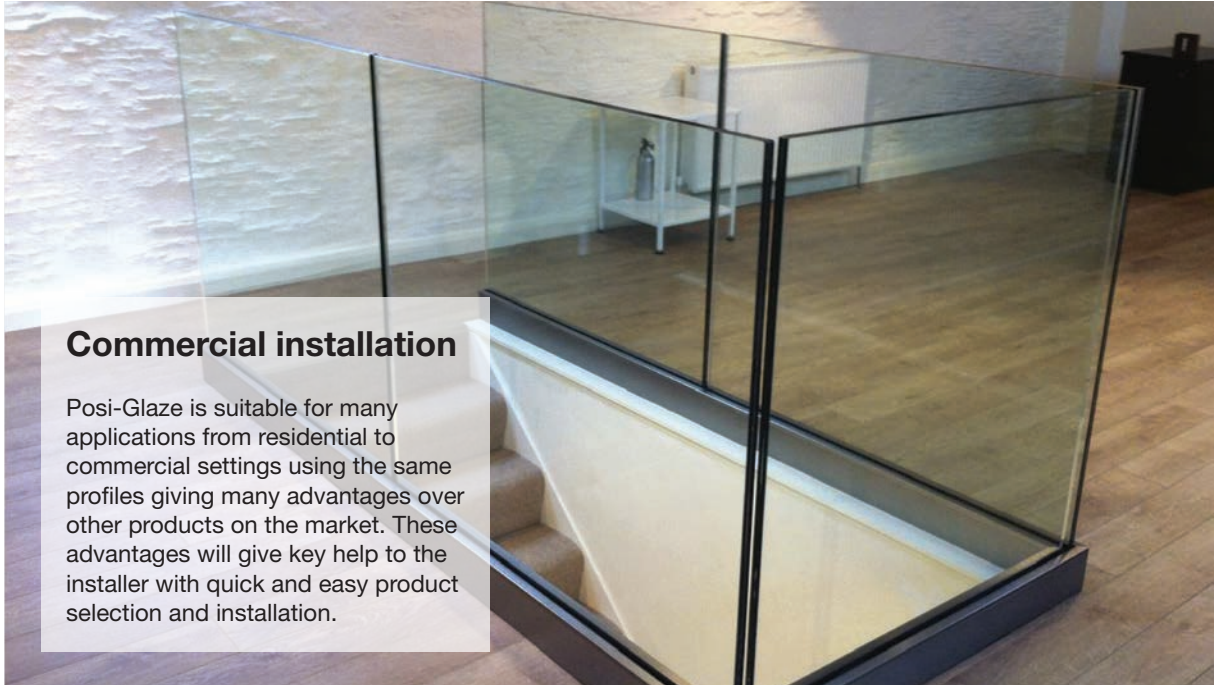


### Posiglaze is so easy to install

1. Fit the base channel (D1) to the substructure (Details on suitable fixing can be found on our website).
2. Clip the glass slip clamps (D2) to the bottom edge of the glass panel (We produce different sized clamps for different glass thicknesses).
3. Place the bolt screws in the pivot clamp (D3).
4. Position the glass in the channel.
5. Using the adjustment bolts; loosening one side and tightening the other. This will allow the alignment of the glass with the next panel and enable vertical alignment of the glass.
6. Attaching the cover strip (D4) and bead gasket.



## Posiglaze Basemount and Side Fix



### Commercial installation

Posi-Glaze is suitable for many applications from residential to commercial settings using the same profiles giving many advantages over other products on the market. These advantages will give key help to the installer with quick and easy product selection and installation.



### 3 metre of base drilled kit

#### POSIGLAZE BASE DRILLED KIT COMPRISES OF:

- 1 x 3m Base Drilled Channel
- 2 x 3m Top Clip Bead
- 1 x Clamp kit to suit specified glass thickness
- 1 x Spanner

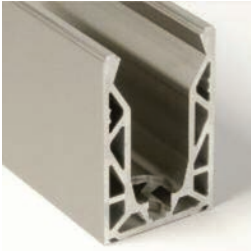


### 3 metre of side drilled kit

#### POSIGLAZE SIDE DRILLED KIT COMPRISES OF::

- 1 x 3m Side Drilled Channel
- 1 x 3m Top Clip Bead
- 1 x 3m Side Cladding
- 1 x Clamp kit to suit specified glass thickness
- 1 x Spanner

## PGC-010 Base Drilled Posi-Glaze

**DESCRIPTION**

Base Drilled Posi-Glaze channel. This is the main section that hold the glass. It is predrilled at 100mm from the ends and then 200mm there after. The hole is to suit a 12mm fixing bolt and is counter bored to sink the bolt head. Natural anodised channel is a matt silver finish used when the channel is below floor level, such as with decking or tiling when the channel is in line with the finished floor level.

**AVAILABLE FINISHES**

- 3m S/S Brushed
- 3m Natural Anodised

## PGC-020 Side Drilled Posi-Glaze

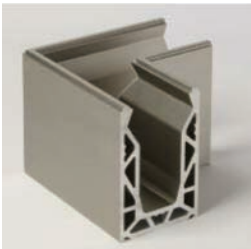
**DESCRIPTION**

Sided Drilled Posi-Glaze channel. This is the main section that hold the glass. It is predrilled at 100mm from the ends and then 200mm thereafter. The hole is to suit a 12mm fixing bolt and is counter bored to sink the bolt head. Drilled through both walls, one side to allow socket through.

**AVAILABLE FINISHES**

- 3m Natural Anodised

## PGA-090-SBV 90° Corner

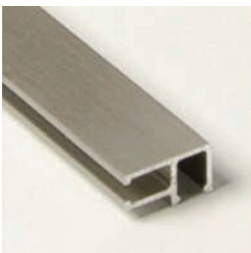
**DESCRIPTION**

A Pre-fabricated 90° corner. Supplied with four dowels for easier fitting. Does not include extra top seal strip or side cladding.

**AVAILABLE FINISHES**

- S/S Brushed

## PGA-030 Top Seal Strip

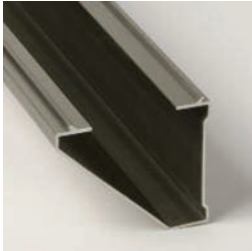
**DESCRIPTION**

The top seal strip holds the gasket and is pressed onto the channel at the end of the installation. Covers the clamps from and prevents debris from entering the channel.

**AVAILABLE FINISHES**

- 3m S/S Brushed

## PGA-020 Bottom Cladding

**DESCRIPTION**

To be used with side fixed channel if required, gives an angled finish to the bottom of the channel. Clips into the grooves under the channel, will require adhesive for securing in place.

**AVAILABLE FINISHES**

- 3m S/S Brushed

## PGA-010 Side Cladding

**DESCRIPTION**

As with the top seal strip it holds the gasket in place and covers the clamps from view. To be used with side drilled channel to cover the drill holes from view. Requires adhesive to hold flat surface against channel. Also used with natural anodised channel to give stainless steel finish.

**AVAILABLE FINISHES**

- 3m S/S Brushed

PGB-0012 (12mm) / PGB-0013 (13.52mm) / PGB-0015 (15mm)  
Clamp Kits (Inc. Clamps, gasket, bars, bolts)**DESCRIPTION**

Clamp kits have enough components to suit a 3m length of channel. The clamps can fit glass thicknesses 1mm either way of said glass thickness i.e. 15mm glass clamps will suit 14 - 16mm glass. Included are the clamp bars, which sit into the top mould of the clamps and the clamp bolts, which screw into the bars and are then undone to hold the glass in place. These are undone and tightened each side allowing the glass alignment. 6m gasket to suit glass thickness.

**GLASS THICKNESS**

- 12mm Glass
- 13.5mm Glass
- 15mm Glass
- 17.5mm Glass
- 19mm Glass
- 21.5mm Glass

## PGA-002 (12-17.52mm) / PGA-001 (19-21mm) Gasket

**DESCRIPTION**

Extra gasket can be supplied in any length. The small gasket suits 19 - 21mm glass, the large gasket suits 12 - 17.5mm glass.

**AVAILABLE SIZES**

- 1m Large Gasket
- 1m Small Gasket

## PGA-060 End Caps

**DESCRIPTION**

Stainless steel end caps cut to suit each option. An adhesive will need to be used to hold them in place.

- End Cap Base Drilled
- End Cap One Side-Clad
- End Cap Two Side-Clad
- End Cap Shaped Right
- End Cap Shaped Left
- End Cap Knock-in Base Drilled

## PGA-070 Dowel

**DESCRIPTION**

The dowels are used to allow for better aligning when joining channel sections together. There are three slots in the channel to hold dowels although two would be enough.

## PGA-050 Spanner

**DESCRIPTION**

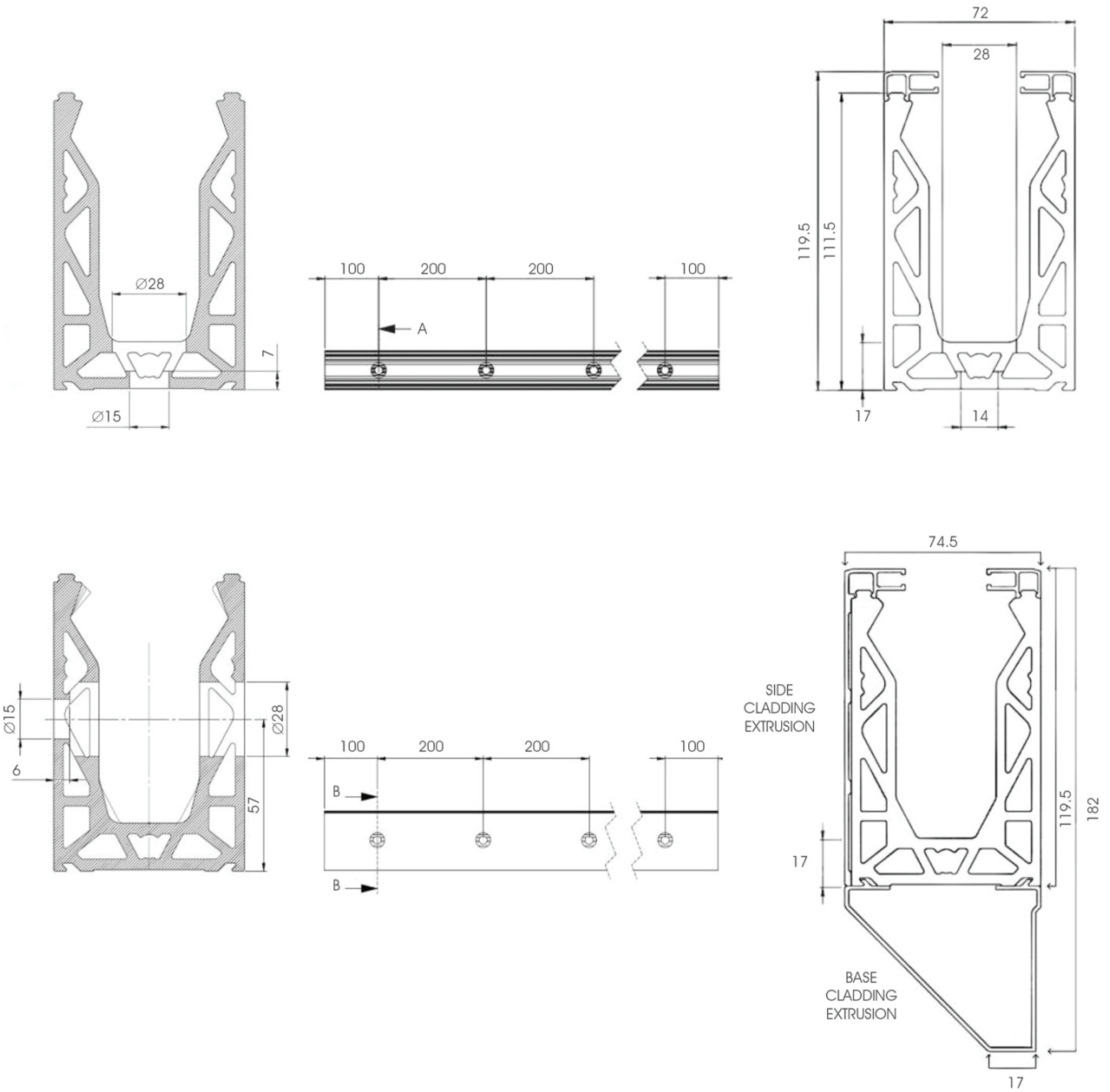
Steel spanner with angle to reach the clamp bolts to tighten/loosen the glass.

## PV08DB Drain Block

**DESCRIPTION**

Anodised aluminium drain block. Fitted between the substrate and channel behind each hole to allow water to escape.

Profile Dimensions





## Fitting Applications

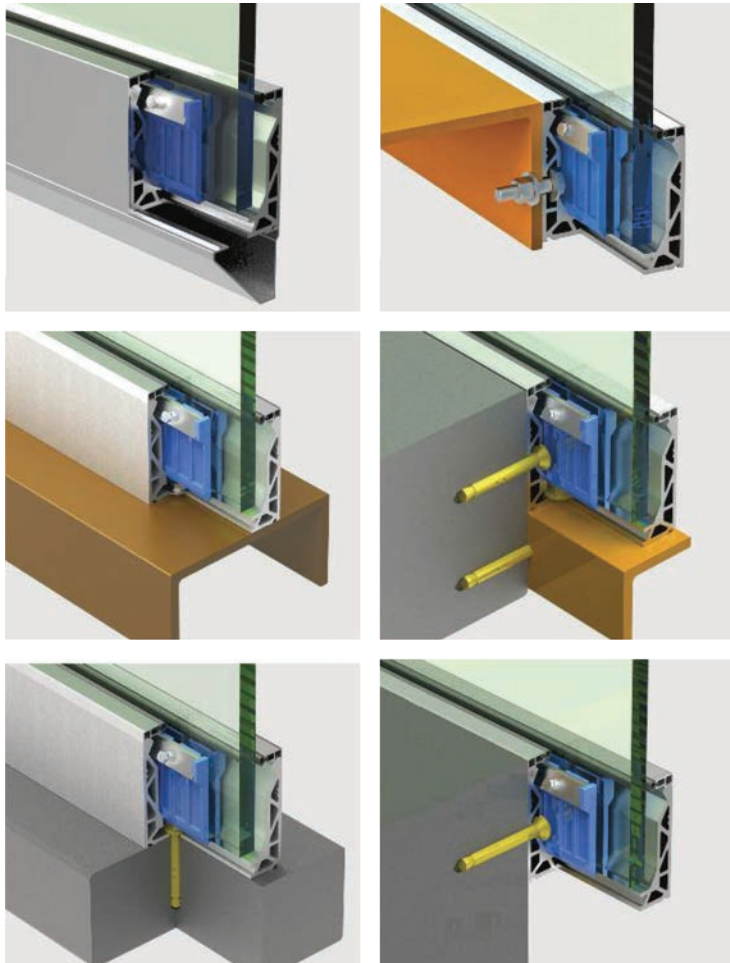
**BSI WITH 6180:2011**

Meets BSI standard 6180:2011. We've designed Posiglaze to meet BSi 6180:2011, 1.5kN loading. Visit our website for a dedicated guide to what glass thickness should be used and further fitting instructions.

Please note these are only fitting suggestions, Posiglaze should always be fitted to a suitable sub structure, if in doubt contact a qualified professional.



Our PosiGlaze channel has passed the CSTB 5 test. This was completed by our French/Italian distributor Logli Massimo under their product name DEFENDER 450



## Model 6020 | 6021 1.5KN Top and Side Mount

**DESCRIPTION**

- Quick and simple mounting
- Different finishes
- For glass thicknesses between 12 - 21,52 mm
- Drainage holes
- Increased stability with the same looks
- For applications requiring 0.74Kn the mounting distance can be 600mm
- Private, commercial and public areas



## TL-6020 1.5 kN Top Mount

## LEVEL UP

The Profile TL-6020 is the intelligent onward development of the TL-6010 Profile. Here the outstanding feature consists in the increase of mounting distances, which now enables the use of the profile also on an anchor bolt without countersunk head. Therefore, mounting the product is not only faster and more cost efficient, but also statics have improved considerably.

It can be used in exterior applications, withstands a linear load of 1.5 kN and is appropriate for glass thicknesses between 12 mm and 21.52 mm.



riba  
product  
selector

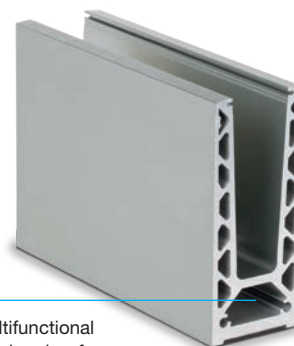
CAD IN EVERY  
FORMAT



TESTED  
according to  
BS6180

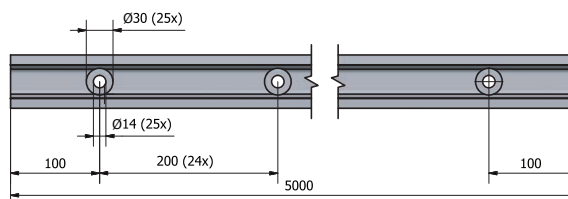
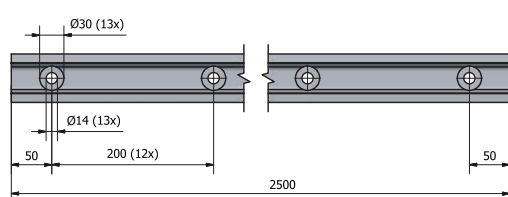
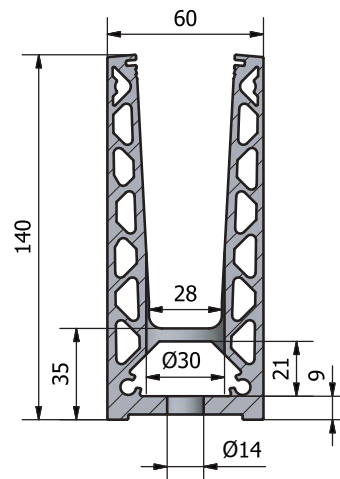
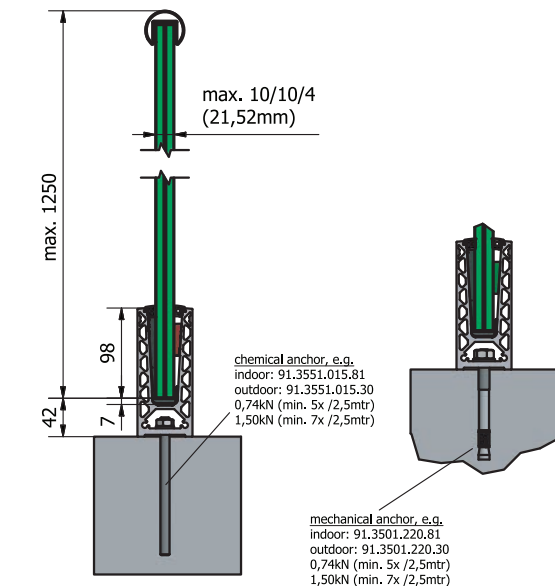
## ESSENTIAL FEATURES

- Slimline, elegant design and low-maintenance
- ONLEVEL Flex-Fit Glass Adjustment Tool
- Extension pin holes
- Drainage holes
- For use with Top Cover 3.0 kN
- For glass thicknesses between 12 - 21.52 mm
- For applications of 0.74kN in private areas, the mounting distance amounts to 60 cm



Increased  
stability with the  
same looks

Integrated multifunctional  
sophisticated chamber for  
enabling larger drilling distances



## TL-6020 Glass Profile



### TECHNICAL DETAILS

- Height: 140 mm
- Width: 60 mm
- Sales unit: 1 piece

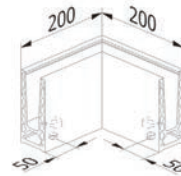
Model 6020	Mill Finish	Plain Aluminium	Stainless Steel Look	Coloured
Length	Art no.	Art no.	Art no.	Art no.
2500	–	10.6020.002.11	10.6020.002.12	–
5000	10.60.20.005.10	10.6020.005.11	10.6020.005.12	10.6020.005.13/16

## TL-6020 Inside Corner / Outside Corner 90°



### TECHNICAL DETAILS

- Side length inside 140 mm
- Side length outside 200 mm
- Sales unit: 1 piece



Model 6020	Mill Finish	Plain Aluminium	Stainless Steel Look	Coloured
	Art no.	Art no.	Art no.	Art no.
	10.6020.390.10	10.6020.390.11	0.6020.390.12	10.6020.390.13/16

## TL-6020 End Cap, Left/Right

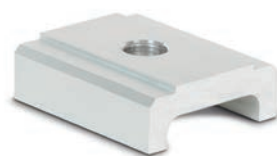


### TECHNICAL DETAILS

- For use on the left and right
- Sales unit: 1 piece

Model 6020	Mill Finish	Plain Aluminium	Stainless Steel Look	Coloured
Application	Art no.	Art no.	Art no.	Art no.
Left/Right	10.6020.490.10	0.6020.490.11	10.6020.490.12	10.6020.490.13/16

## TL-6020 Spacer



You do not have any drainage options on your balcony?!  
So that you do not need to install a dam on your balcony, you can simply mount the spacers beneath your profile.

### TECHNICAL DETAILS

- Inner drill hole Ø 14 mm
- Sales unit: 1 piece

Model 6020	Mill Finish	Plain Aluminium	Stainless Steel Look	Coloured
	Art no.	Art no.	Art no.	Art no.
	10.6020.500.10	10.6020.500.11	10.6020.500.12	10.6020.500.13/16

## TL-6020 Extension pin



## TECHNICAL DETAILS

- Length 40 mm
- Diameter Ø 6 mm
- Sales unit: 8 piece

Model 3511	V4A (interior & exterior)
	Art no.
	90.7001.640.31

## TL-6020 Fischer fixing anchor FIS AM M10x150



## TECHNICAL DETAILS

- Finish interior application: zinc-plated steel (interior)
- Finish exterior application: V4A (exterior)
- Required number per 2500 mm: 13 pieces
- Sales unit: 25 pieces

Model 3511	Zinc-plated steel (interior)	V4A (exterior)
	Art no.	Art no.
	91.3551.015.81	91.3551.015.30



## TL-6020 Fixing anchor steel



## TECHNICAL DETAILS

- Finish interior application: zinc-plated steel (interior)
- Finish exterior application: V4A (exterior)
- Required number per 2500 mm: 13 pieces
- Sales unit: 13 pieces

Model 6020	Zinc-plated steel (interior)	V4A (exterior)
	Art no.	Art no.
	91.6020.060.81	91.6020.060.30

## TL-6020 Flex-Fit 1.0 kN

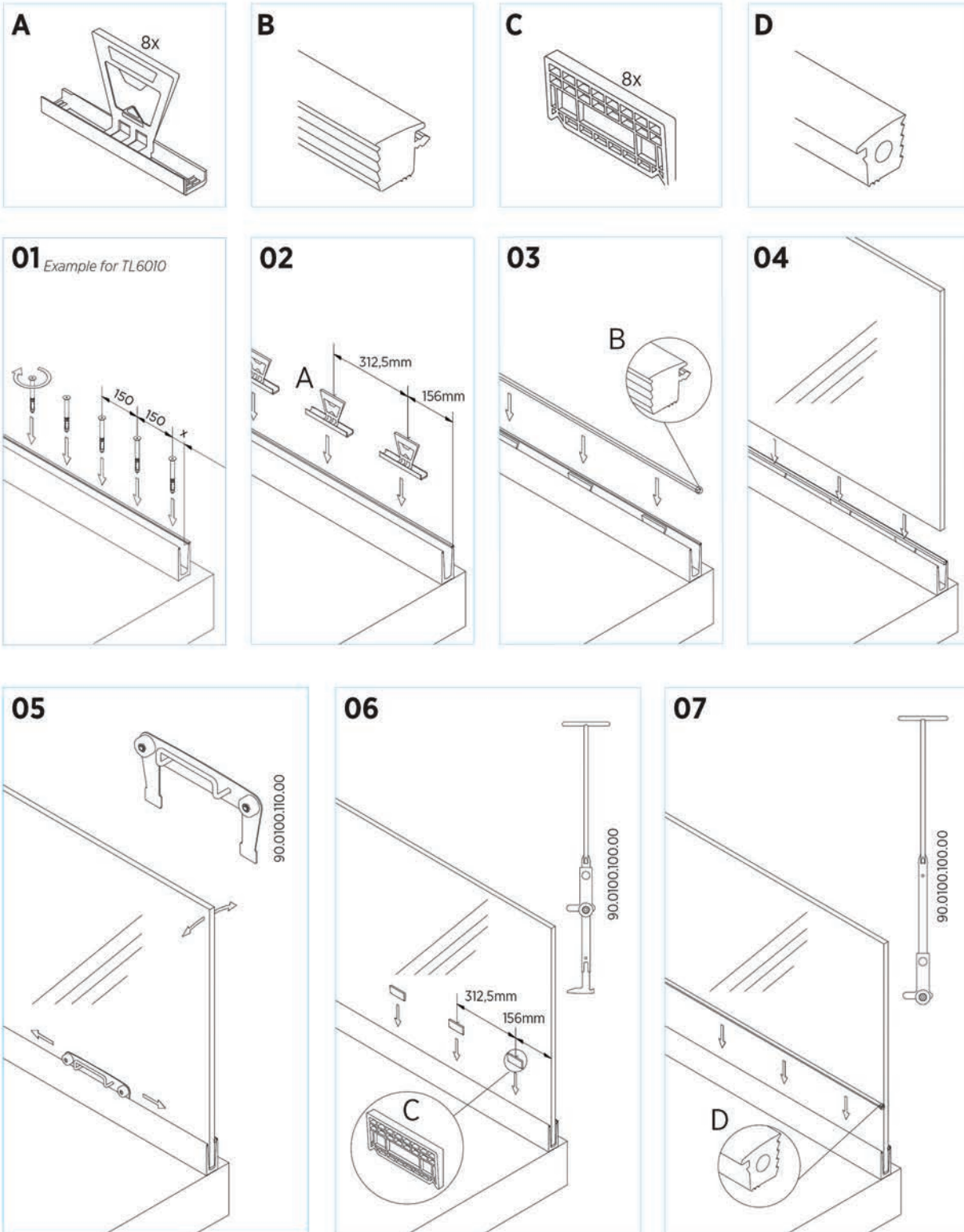


## TECHNICAL DETAILS

- Fine adjustment of glass panes
- For glass thicknesses between 12 - 21.52 mm
- Adjustment of up to 34 mm in relation to the vertical axis
- Pay attention to the right glass thickness!

Length		2500 mm	5000 mm	25 mtr
Glass thickness	Wedge colour	Art no.	Art no.	Art no.
12 mm	Black	90.0502.112.00	90.0505.112.00	90.0525.112.00
6/6/2 (12.76 mm)	Red	90.0502.113.00	90.0505.113.00	90.0525.113.00
6/6/4 (13.52 mm)	Grey	90.0502.114.00	90.0505.114.00	90.0525.114.00
15 mm	Yellow	90.0502.115.00	90.0505.115.00	90.0525.115.00
<b>8/8/2 (16,76 mm)</b>	Brown	90.0502.117.00	90.0505.117.00	90.0525.117.00
<b>8/8/4 (17,52 mm)</b>	Green	90.0502.118.00	90.0505.118.00	90.0525.118.00
19 mm	Blue	90.0502.119.00	90.0505.119.00	90.0525.119.00
<b>10/10/2 (20,76 mm)</b>	Red	90.0502.121.00	90.0505.121.00	90.0525.121.00
<b>10/10/4 (21,52 mm)</b>	Green	90.0502.122.00	90.0505.122.00	90.0525.122.00

Mounting Instruction FLEXFIT



## TL-6021 1.5 kN Side Mount

### THE EVOLUTION GOES ON

The Profile TL-6021 is the intelligent onward development of the TL-6011 Profile. Here the outstanding feature consists in the increase of mounting distances, which now enables the use of the profile also on an anchor bolt without countersunk head. This makes mounting the product not only much quicker and more cost efficient, also statics have improved significantly.

The Profile TL-6021 can be used for exterior applications. It can withstand a linear load of 1.5 kN and is appropriate for glass thicknesses between 12 mm and 21.52 mm.

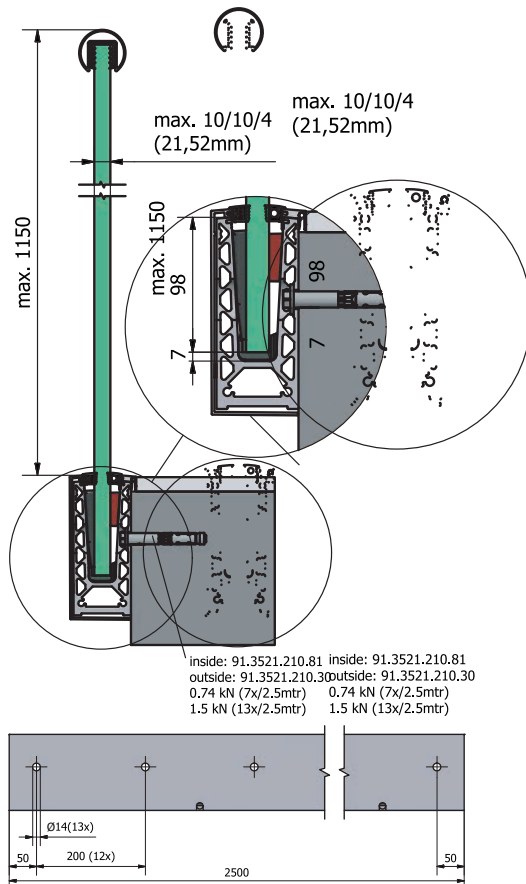


riba  
product  
selector

CAD IN EVERY  
FORMAT



TESTED  
according to  
BS6180

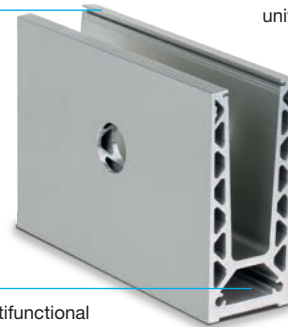


### ESSENTIAL FEATURES

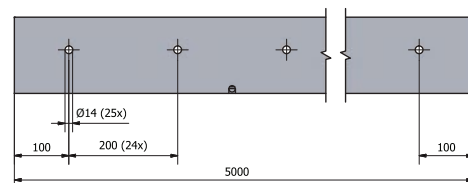
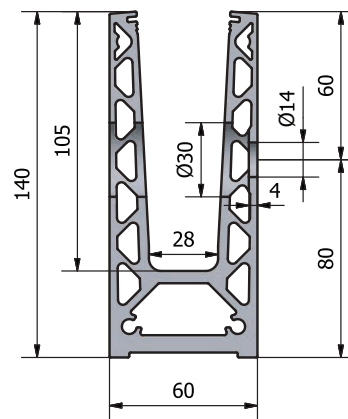
- Slimline, elegant design and low-maintenance
- ONLEVEL Flex-Fit Glass Adjustment Tool
- Drainage holes
- Cover (optional)
- For use with Top Cover 3.0 kN
- For glass thicknesses between 12 mm and 21.52 mm
- For applications of 0.74kN in private areas, the mounting distance amounts to 40 cm

Improved statics

Can be anchored  
universally depending  
on the application



Integrated multifunctional  
sophisticated chamber for  
enabling larger drilling distances



## TL-6021 Glass Profile



## TECHNICAL DETAILS

- Height: 140 mm
- Width: 60 mm
- Sales unit: 1 piece

Model 6021	Mill Finish	Plain Aluminium	Stainless Steel Look	Coloured
Length	Art no.	Art no.	Art no.	Art no.
2500	–	10.6021.002.11	10.6021.002.12	–
5000	10.6021.005.10	10.6021.005.11	10.6021.005.12	10.6021.005.13/16

## TL-6021 Inside Corner 90°



## TECHNICAL DETAILS

- Side length inside 140 mm
- Side length outside 200 mm
- Sales unit: 1 piece

Model 6021	Mill Finish	Plain Aluminium	Stainless Steel Look	Coloured
	Art no.	Art no.	Art no.	Art no.
	10.6021.300.10	10.6021.300.11	10.6021.300.12	10.6021.300.13/16

## TL-6021 Outside Corner 90°



## TECHNICAL DETAILS

- Side length inside 140 mm
- Side length outside 200 mm
- Sales unit: 1 piece

Model 6021	Mill Finish	Plain Aluminium	Stainless Steel Look	Coloured
	Art no.	Art no.	Art no.	Art no.
	10.6021.350.10	10.6021.350.11	10.6021.350.12	10.6021.350.13/16

## TL-6021 End Cap, Left



## TECHNICAL DETAILS

- For use on the left
- Sales unit: 1 piece

Model 6021	Mill Finish	Plain Aluminium	Stainless Steel Look	Coloured
Application	Art no.	Art no.	Art no.	Art no.
Left	10.6021.400.10	10.6021.400.11	10.6021.400.12	10.6021.400.13/16



## TL-6021 End Cap, Left, with Cover Cap



### TECHNICAL DETAILS

- For use on the left
- Sales unit: 1 piece

Model 6021	Mill Finish	Plain Aluminium	Stainless Steel Look	Coloured
Application	Art no.	Art no.	Art no.	Art no.
Left	10.6021.410.10	10.6021.410.11	10.6021.410.12	10.6021.410.13/16

## TL-6021 End Cap, Right



### TECHNICAL DETAILS

- For use on the right
- Sales unit: 1 piece

Model 6021	Mill Finish	Plain Aluminium	Stainless Steel Look	Coloured
Application	Art no.	Art no.	Art no.	Art no.
Right	10.6021.450.10	10.6021.450.11	10.6021.450.12	10.6021.450.13/16

## TL-6021 End Cap, Right, with Cover Cap



### TECHNICAL DETAILS

- For use on the right
- Sales unit: 1 piece

Model 6021	Mill Finish	Plain Aluminium	Stainless Steel Look	Coloured
Application	Art no.	Art no.	Art no.	Art no.
Right	10.6021.460.10	10.6021.460.11	10.6021.460.12	10.6021.460.13/16

## TL-6021 End Cap for Staircase with Cover Strip, Left



### TECHNICAL DETAILS

- For use on the left
- Can be cut to size
- Sales unit: 1 piece

Model 6021	Mill Finish	Plain Aluminium	Stainless Steel Look	Coloured
Application	Art no.	Art no.	Art no.	Art no.
Left	10.6021.411.10	10.6021.411.11	10.6021.411.12	10.6021.411.13/16

## TL-6021 End Cap for Staircase with Cover Strip, Right



## TECHNICAL DETAILS

- For use on the right
- Can be cut to size
- Sales unit: 1 piece

Model 6021	Mill Finish	Plain Aluminium	Stainless Steel Look	Coloured
Application	Art no.	Art no.	Art no.	Art no.
Right	10.6021.461.10	10.6021.461.11	10.6021.461.12	10.6021.461.13/16

## TL-6021 Cover Strip



## TECHNICAL DETAILS

- With mounting strips
- For use with a cover cap, end caps must be ordered separately
- Sales unit: 1 piece

Model 6021	Mill Finish	Plain Aluminium	Stainless Steel Look	Coloured
Length	Art no.	Art no.	Art no.	Art no.
2500	–	10.6021.202.11	–	–
5000	10.6021.205.10	10.6021.205.11	10.6021.205.12	10.6021.205.13/16

## TL-6021 Blanking Plug



## TECHNICAL DETAILS

- Required number per 2500 mm: 17 pieces
- Sales unit: 10 pieces

Model 7000		Plastic
Colour	Diameter	Art no.
White	30 mm	90.7000.030.40
Black	30 mm	90.7000.030.41
Grey	30 mm	90.7000.030.45

## TL-6021 Extension Pin



## TECHNICAL DETAILS

- Length 40 mm
- Diameter Ø 6 mm
- Sales unit: 8 piece

Model 7001	V4A (interior & exterior)
	Art no.
	90.7001.640.31

## TL-6021 Fischer Fixing Anchor FH II 12/10



### TECHNICAL DETAILS

- Finish interior application: zinc-plated steel (interior)
- Finish exterior application: V4A (exterior)
- Required number per 2500 mm: 13 pieces
- Sales unit: 50 pieces

Model 3521	Zinc-plated steel (interior)	V4A (exterior)
	Art no.	Art no.
	91.3521.210.81	91.3521.210.30

## TL-6021 Fixing Anchor Steel



### TECHNICAL DETAILS

- Finish interior application: zinc-plated steel (interior)
- Finish exterior application: V4A (exterior)
- Required number per 2500 mm: 13 pieces
- Sales unit: 13 pieces

Model 6021	Zinc-plated steel (interior)	V4A (exterior)
	Art no.	Art no.
	91.6021.060.81	91.6021.060.30

## TL-6021 Befestigungsanker Rampa Holz



### TECHNICAL DETAILS

- Finish interior application: zinc-plated steel (interior)
- Required number per 2500 mm: 13 pieces
- Sales unit: 13 pieces

Model 3011	Zinc-plated steel (interior)
	Art no.
	91.6021.800.81

## TL-6021 Flex-Fit 1.0 kN



## TECHNICAL DETAILS

- Fine adjustment of glass panes
- For glass thicknesses between 12 - 21.52 mm
- Adjustment of up to 34 mm in relation to the vertical axis
- Pay attention to the right glass thickness!

Length		2500 mm	5000 mm	25 mtr
Glass thickness	Wedge colour	Art no.	Art no.	Art no.
12 mm	Black	90.0502.112.00	90.0505.112.00	90.0525.112.00
6/6/2 (12.76 mm)	Red	90.0502.113.00	90.0505.113.00	90.0525.113.00
6/6/4 (13.52 mm)	Grey	90.0502.114.00	90.0505.114.00	90.0525.114.00
15 mm	Yellow	90.0502.115.00	90.0505.115.00	90.0525.115.00
<b>8/8/2 (16,76 mm)</b>	Brown	90.0502.117.00	90.0505.117.00	90.0525.117.00
<b>8/8/4 (17,52 mm)</b>	Green	90.0502.118.00	90.0505.118.00	90.0525.118.00
19 mm	Blue	90.0502.119.00	90.0505.119.00	90.0525.119.00
<b>10/10/2 (20,76 mm)</b>	Red	90.0502.121.00	90.0505.121.00	90.0525.121.00
<b>10/10/4 (21,52 mm)</b>	Green	90.0502.122.00	90.0505.122.00	90.0525.122.00



## DRAINAGE – BUT NOT A RAIN GUTTER.

If water and cold combine, this can lead to problems when using all-glass balustrades. For this purpose, all ONLEVEL glass support profiles are equipped with drainage holes with a distance of 1000 mm between each of them. And we wouldn't be ONLEVEL, if we hadn't thought of all sorts of situations. Depending on the season, the balustrade can be subject to the most different influences (e.g.: leaves, sand, dirt).

**We offer the only profile of this kind on the market.**

ONLEVEL has paid special attention to ensure that the pivot point of the glass is on the same level as the rubber seals – therefore the rubber seals are never directly subjected to an increased or decreased load. As a result, dirt affects the balustrade much less.

