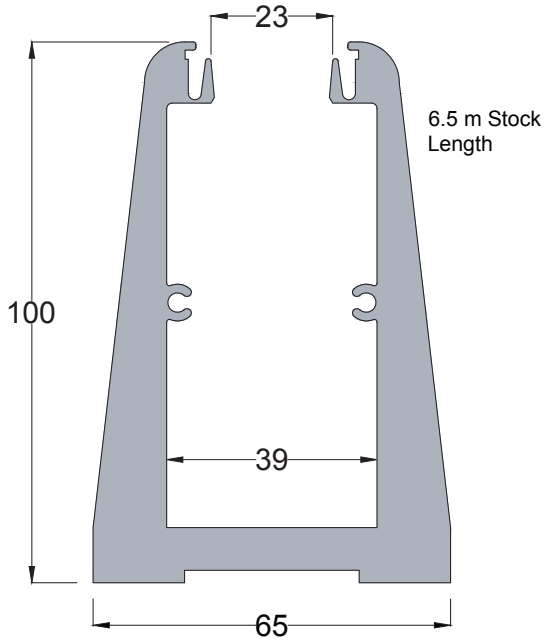


GHAT Balustrade Glazing Channel



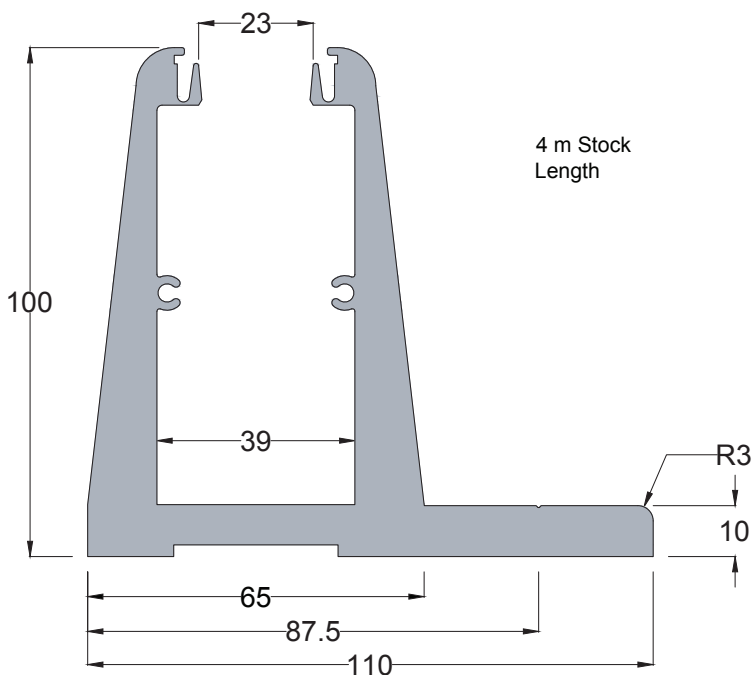
AVAILABLE FINISHES

- Mill finish
- Special colours on request

TECHNICAL DETAILS

- 6.5m stock length
- Suitable for 12mm glass

GHAT-LEG Balustrade Glazing Channel



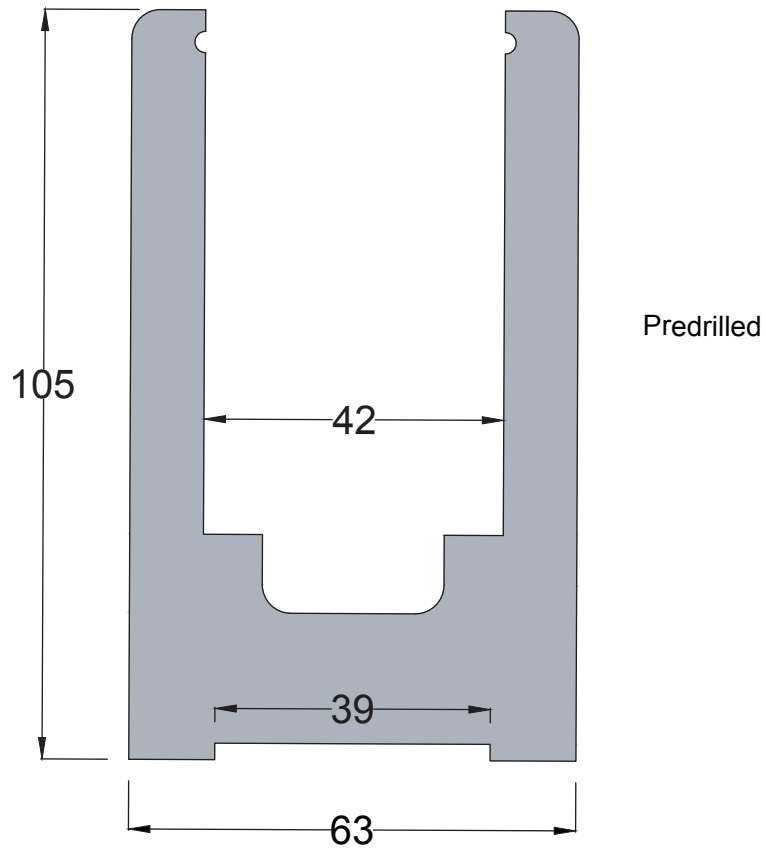
AVAILABLE FINISHES

- Mill finish
- Special colours on request

TECHNICAL DETAILS

- 4m stock length
- Suitable for 12mm glass

GHAL Balustrade Glazing Channel

**AVAILABLE FINISHES**

- Mill finish
- Special colours on request

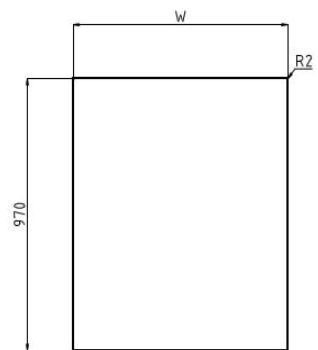
TECHNICAL DETAILS

- 6m stock length
- Suitable for 12 and 15mm glass

GLASS BALUSTRADE PANELS 12mm Standard Panels

12mm Standard Panels with Polished Edges & 2mm Polished Radius

CODE	WIDE (mm)	HEIGHT (mm)	AREA (sqm)
BG12-100	100	970	0.10
BG12-150	150	970	0.15
BG12-200	200	970	0.19
BG12-250	250	970	0.24
BG12-300	300	970	0.29
BG12-350	400	970	0.34
BG12-400	400	970	0.38
BG12-450	450	970	0.44
BG12-500	500	970	0.48
BG12-550	550	970	0.53
BG12-600	600	970	0.58
BG12-650	650	970	0.63
BG12-700	700	970	0.67
BG12-750	750	970	0.73
BG12-800	800	970	0.77
BG12-850	850	970	0.82
BG12-900	900	970	0.87
BG12-950	950	970	0.92
BG12-1000	1000	970	0.97
BG12-1050	1050	970	1.01
BG12-1100	1100	970	1.06
BG12-1150	1150	970	1.11
BG12-1200	1200	970	1.16
BG12-1250	1250	970	1.21
BG12-1300	1300	970	1.26
BG12-1350	1350	970	1.3
BG12-1400	1400	970	1.36
BG12-1450	1450	970	1.4
BG12-1500	1500	970	1.45
BG12-1550	1550	970	1.5
BG12-1600	1600	970	1.55
BG12-1650	1650	970	1.6
BG12-1700	1700	970	1.65
BG12-1750	1750	970	1.7
BG12-1800	1800	970	1.75
BG12-1850	1850	970	1.79
BG12-1900	1900	970	1.85
BG12-1950	1950	970	1.89
BG12-2000	2000	970	1.94

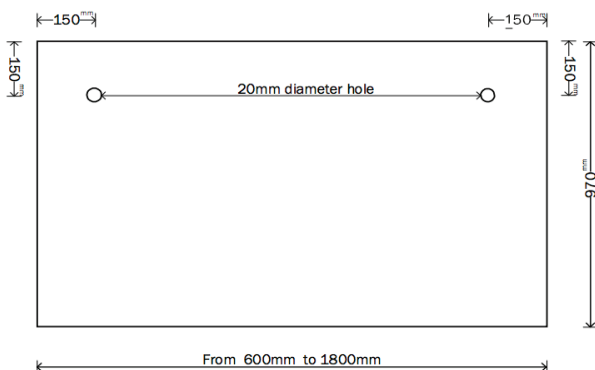


GLASS BALUSTRADE PANELS With 2 Holes

Balustrade Panels with 2 Holes

CODE	WIDE (mm)	HEIGHT (mm)	AREA (sqm)
BGHG12-600	600	970	0.58
BGHG12-650	650	970	0.63
BGHG12-700	700	970	0.68
BGHG12-750	750	970	0.73
BGHG12-800	800	970	0.78
BGHG12-850	850	970	0.82
BGHG12-900	900	970	0.87
BGHG12-950	950	970	0.92
BGHG12-1000	1000	970	0.97
BGHG12-1050	1050	970	1.02
BGHG12-1100	1100	970	1.07
BGHG12-1150	1150	970	1.12
BGHG12-1200	1200	970	1.16
BGHG12-1250	1250	970	1.21
BGHG12-1300	1300	970	1.26
BGHG12-1350	1350	970	1.31
BGHG12-1400	1400	970	1.36
BGHG12-1450	1450	970	1.41
BGHG12-1500	1500	970	1.46
BGHG12-1550	1550	970	1.5
BGHG12-1600	1600	970	1.55
BGHG12-1650	1650	970	1.6
BGHG12-1700	1700	970	1.65
BGHG12-1750	1750	970	1.7
BGHG12-1800	1800	970	1.75

Balustrade Glass with Holes for Handrail

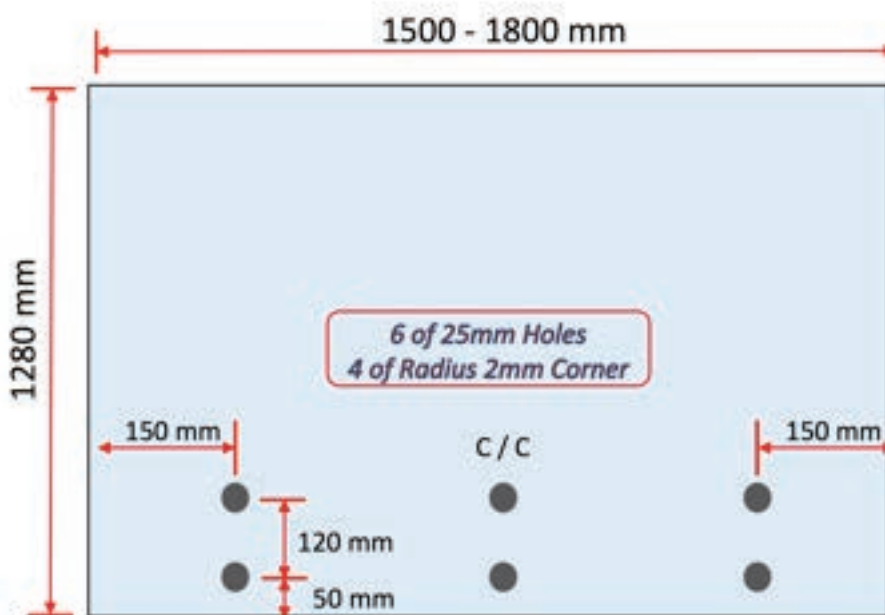
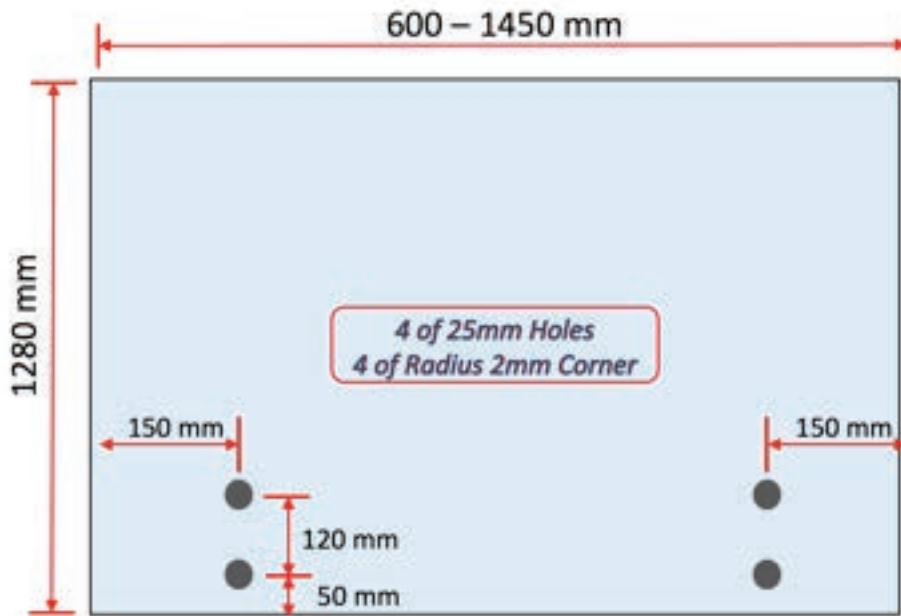


GLASS BALUSTRADE PANELS 4 / 6 Holes

Balustrade Panels with 4/6 Holes

CODE	WIDE (mm)	HEIGHT (mm)	AREA (sqm)	HOLES
BGHG12-600	600	1280	0.77	4 Holes
BGHG12-650	650	1280	0.83	4 Holes
BGHG12-700	700	1280	0.90	4 Holes
BGHG12-750	750	1280	0.96	4 Holes
BGHG12-800	800	1280	1.02	4 Holes
BGHG12-850	850	1280	1.09	4 Holes
BGHG12-900	900	1280	1.15	4 Holes
BGHG12-950	950	1280	1.22	4 Holes
BGHG12-1000	1000	1280	1.28	4 Holes
BGHG12-1050	1050	1280	1.34	4 Holes
BGHG12-1100	1100	1280	1.41	4 Holes
BGHG12-1150	1150	1280	1.47	4 Holes
BGHG12-1200	1200	1280	1.54	4 Holes
BGHG12-1250	1250	1280	1.60	4 Holes
BGHG12-1300	1300	1280	1.66	4 Holes
BGHG12-1350	1350	1280	1.73	4 Holes
BGHG12-1400	1400	1280	1.79	4 Holes
BGHG12-1450	1450	1280	1.86	4 Holes
BGHG12-1500	1500	1280	1.92	6 Holes
BGHG12-1550	1550	1280	1.98	6 Holes
BGHG12-1600	1600	1280	2.05	6 Holes
BGHG12-1650	1650	1280	2.11	6 Holes
BGHG12-1700	1700	1280	2.18	6 Holes
BGHG12-1750	1750	1280	2.24	6 Holes
BGHG12-1800	1800	1280	2.30	6 Holes

12MM TOUGHENED GLASS Side Fixing Standard Size Panel



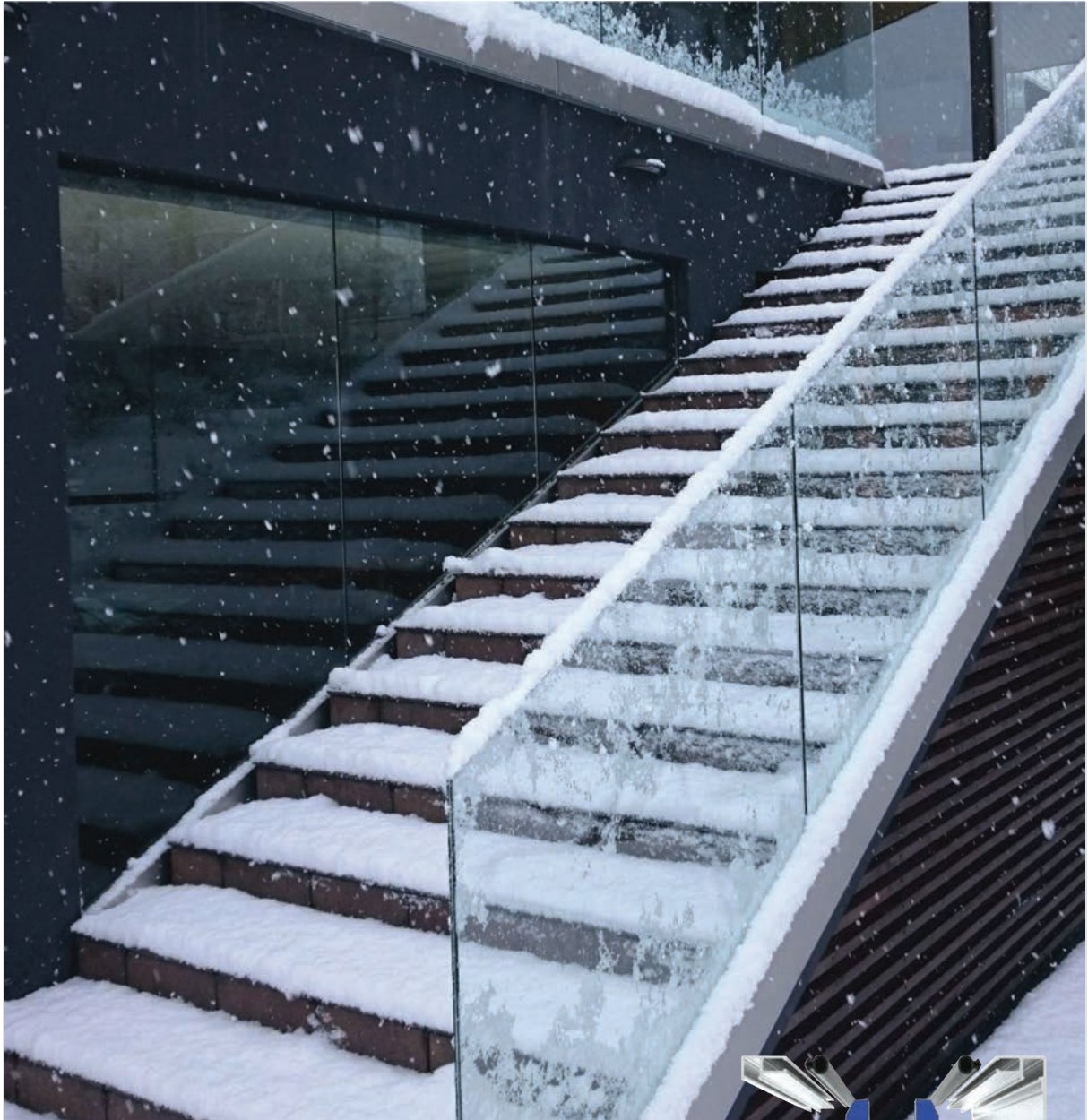
AVAILABLE FINISHES

- 12mm Clear Toughened Glass

TECHNICAL DETAILS

- Side fixing standard size panel

Posiglaze Basemount and Side Fix



posiglaze
Frameless Glass Balustrade Solutions



Posiglaze Basemount and Side Fix

Posiglaze is our innovative aluminium railing system

FAST INSTALLATION

Designed to be installed without the need of ensuring the fitting surface is totally level.

FULLY ADJUSTABLE AFTER INSTALLATION

Posiglaze uses a unique, simple adjustment system allowing horizontal alignment of each glass panel.

LIGHT WEIGHT AND EXTREMELY STRONG

Cleverly designed out of extruded aluminium, saving weight yet keeping strength. For added protection we anodise our system increasing protection against the elements.

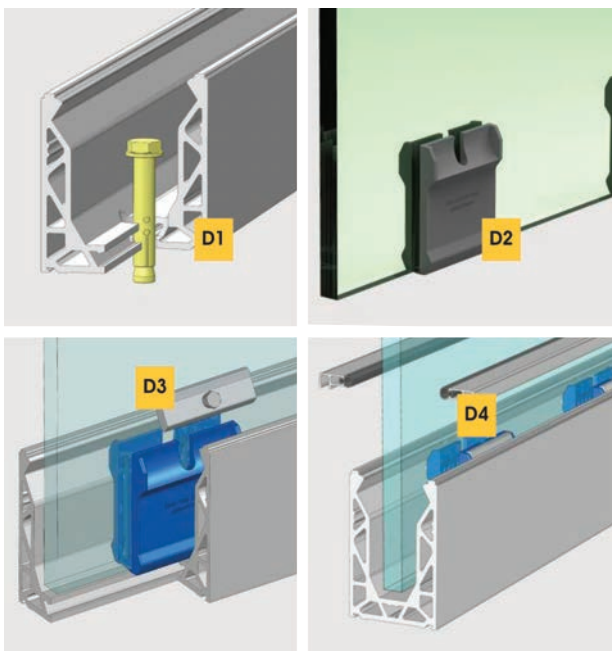
EXCELLENTLY ENGINEERED

Our system is tested & engineered to meet the strictest building regulations (with the appropriate fixing and glass thickness) in both domestic and commercial installations. It can be installed in a wide variety of applications.

GLASS THICKNESSES

- 12mm (toughened glass)
- 13.5mm (toughened laminate)
- 15mm (toughened glass)
- 17.5mm (toughened laminate)
- 19mm (toughened glass)
- 21.5mm (toughened laminate)

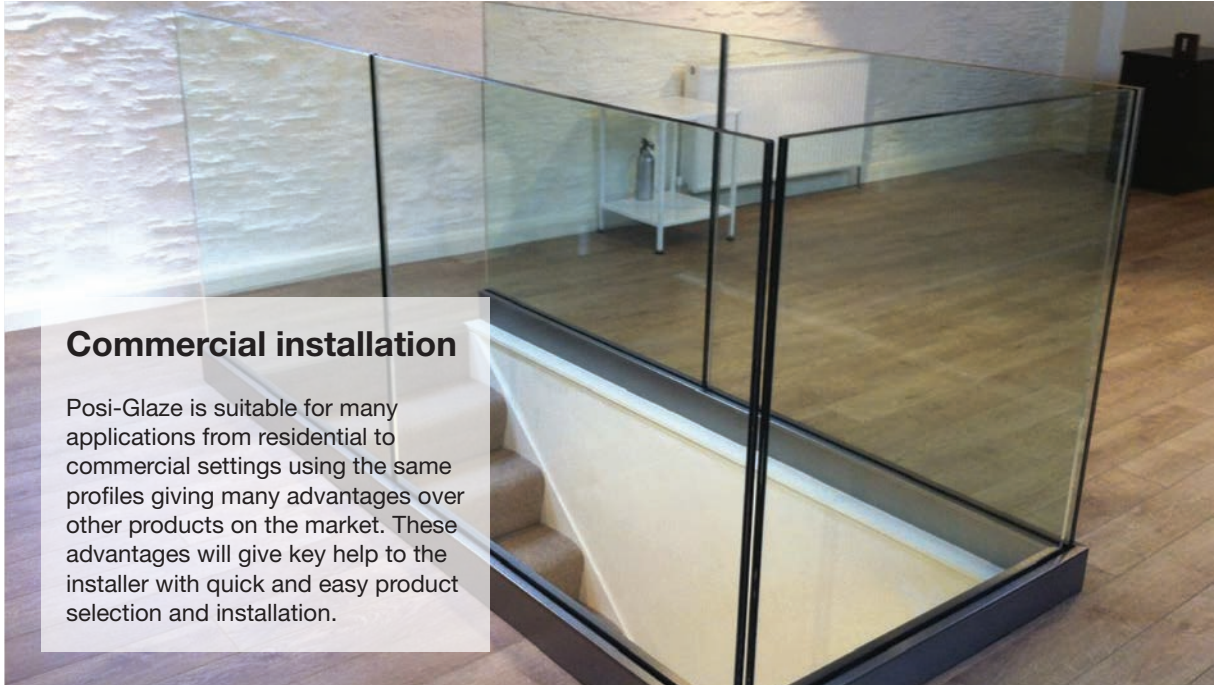
NOTE: ALL GLASS CLAMPS HAVE A 1MM TOLERANCE TO ACCEPT VARYING INTERLAYER THICKNESSES



Posiglaze is so easy to install

1. Fit the base channel (D1) to the substructure (Details on suitable fixing can be found on our website).
2. Clip the glass slip clamps (D2) to the bottom edge of the glass panel (We produce different sized clamps for different glass thicknesses).
3. Place the bolt screws in the pivot clamp (D3).
4. Position the glass in the channel.
5. Using the adjustment bolts; loosening one side and tightening the other. This will allow the alignment of the glass with the next panel and enable vertical alignment of the glass.
6. Attaching the cover strip (D4) and bead gasket.

Posiglaze Basemount and Side Fix



Commercial installation

Posi-Glaze is suitable for many applications from residential to commercial settings using the same profiles giving many advantages over other products on the market. These advantages will give key help to the installer with quick and easy product selection and installation.



3 metre of base drilled kit

POSIGLAZE BASE DRILLED KIT COMPRISES OF:

- 1 x 3m Base Drilled Channel
- 2 x 3m Top Clip Bead
- 1 x Clamp kit to suit specified glass thickness
- 1 x Spanner

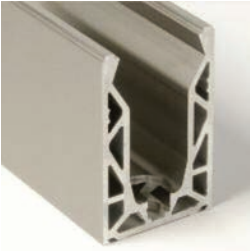


3 metre of side drilled kit

POSIGLAZE SIDE DRILLED KIT COMPRISES OF::

- 1 x 3m Side Drilled Channel
- 1 x 3m Top Clip Bead
- 1 x 3m Side Cladding
- 1 x Clamp kit to suit specified glass thickness
- 1 x Spanner

PGC-010 Base Drilled Posi-Glaze

**DESCRIPTION**

Base Drilled Posi-Glaze channel. This is the main section that hold the glass. It is predrilled at 100mm from the ends and then 200mm there after. The hole is to suit a 12mm fixing bolt and is counter bored to sink the bolt head. Natural anodised channel is a matt silver finish used when the channel is below floor level, such as with decking or tiling when the channel is in line with the finished floor level.

AVAILABLE FINISHES

- 3m S/S Brushed
- 3m Natural Anodised

PGC-020 Side Drilled Posi-Glaze

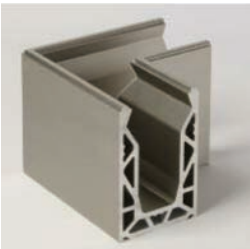
**DESCRIPTION**

Sided Drilled Posi-Glaze channel. This is the main section that hold the glass. It is predrilled at 100mm from the ends and then 200mm thereafter. The hole is to suit a 12mm fixing bolt and is counter bored to sink the bolt head. Drilled through both walls, one side to allow socket through.

AVAILABLE FINISHES

- 3m Natural Anodised

PGA-090-SBV 90° Corner

**DESCRIPTION**

A Pre-fabricated 90° corner. Supplied with four dowels for easier fitting. Does not include extra top seal strip or side cladding.

AVAILABLE FINISHES

- S/S Brushed

PGA-030 Top Seal Strip

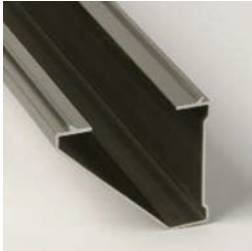
**DESCRIPTION**

The top seal strip holds the gasket and is pressed onto the channel at the end of the installation. Covers the clamps from and prevents debris from entering the channel.

AVAILABLE FINISHES

- 3m S/S Brushed

PGA-020 Bottom Cladding

**DESCRIPTION**

To be used with side fixed channel if required, gives an angled finish to the bottom of the channel. Clips into the grooves under the channel, will require adhesive for securing in place.

AVAILABLE FINISHES

- 3m S/S Brushed

PGA-010 Side Cladding

**DESCRIPTION**

As with the top seal strip it holds the gasket in place and covers the clamps from view. To be used with side drilled channel to cover the drill holes from view. Requires adhesive to hold flat surface against channel. Also used with natural anodised channel to give stainless steel finish.

AVAILABLE FINISHES

- 3m S/S Brushed

PGB-0012 (12mm) / PGB-0013 (13.52mm) / PGB-0015 (15mm)
Clamp Kits (Inc. Clamps, gasket, bars, bolts)**DESCRIPTION**

Clamp kits have enough components to suit a 3m length of channel. The clamps can fit glass thicknesses 1mm either way of said glass thickness i.e. 15mm glass clamps will suit 14 - 16mm glass. Included are the clamp bars, which sit into the top mould of the clamps and the clamp bolts, which screw into the bars and are then undone to hold the glass in place. These are undone and tightened each side allowing the glass alignment. 6m gasket to suit glass thickness.

GLASS THICKNESS

- 12mm Glass
- 13.5mm Glass
- 15mm Glass
- 17.5mm Glass
- 19mm Glass
- 21.5mm Glass

PGA-002 (12-17.52mm) / PGA-001 (19-21mm) Gasket

**DESCRIPTION**

Extra gasket can be supplied in any length. The small gasket suits 19 - 21mm glass, the large gasket suits 12 - 17.5mm glass.

AVAILABLE SIZES

- 1m Large Gasket
- 1m Small Gasket

PGA-060 End Caps

**DESCRIPTION**

Stainless steel end caps cut to suit each option. An adhesive will need to be used to hold them in place.

- End Cap Base Drilled
- End Cap One Side-Clad
- End Cap Two Side-Clad
- End Cap Shaped Right
- End Cap Shaped Left
- End Cap Knock-in Base Drilled

PGA-070 Dowel

**DESCRIPTION**

The dowels are used to allow for better aligning when joining channel sections together. There are three slots in the channel to hold dowels although two would be enough.

PGA-050 Spanner

**DESCRIPTION**

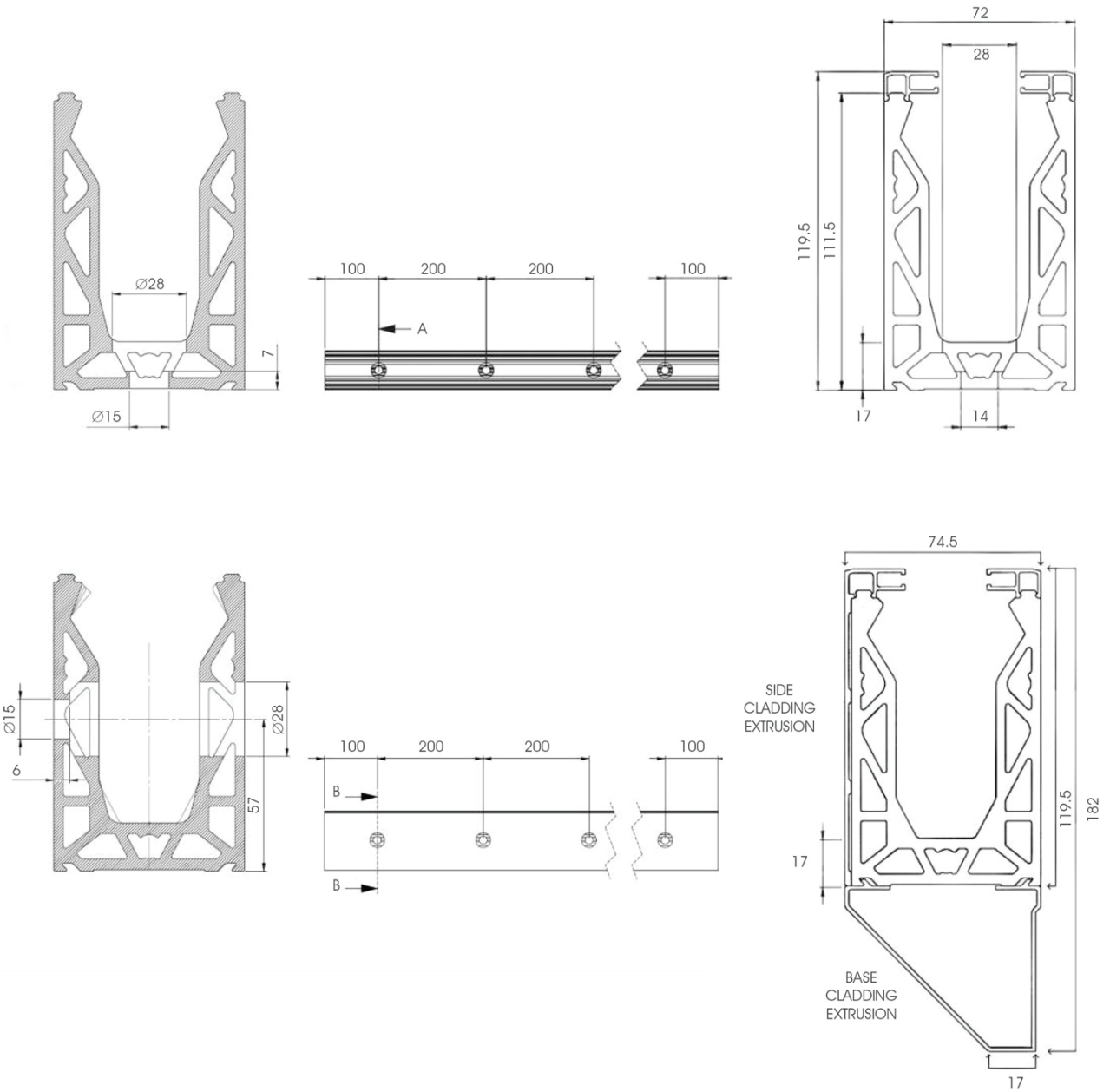
Steel spanner with angle to reach the clamp bolts to tighten/loosen the glass.

PV08DB Drain Block

**DESCRIPTION**

Anodised aluminium drain block. Fitted between the substrate and channel behind each hole to allow water to escape.

Profile Dimensions



Fitting Applications

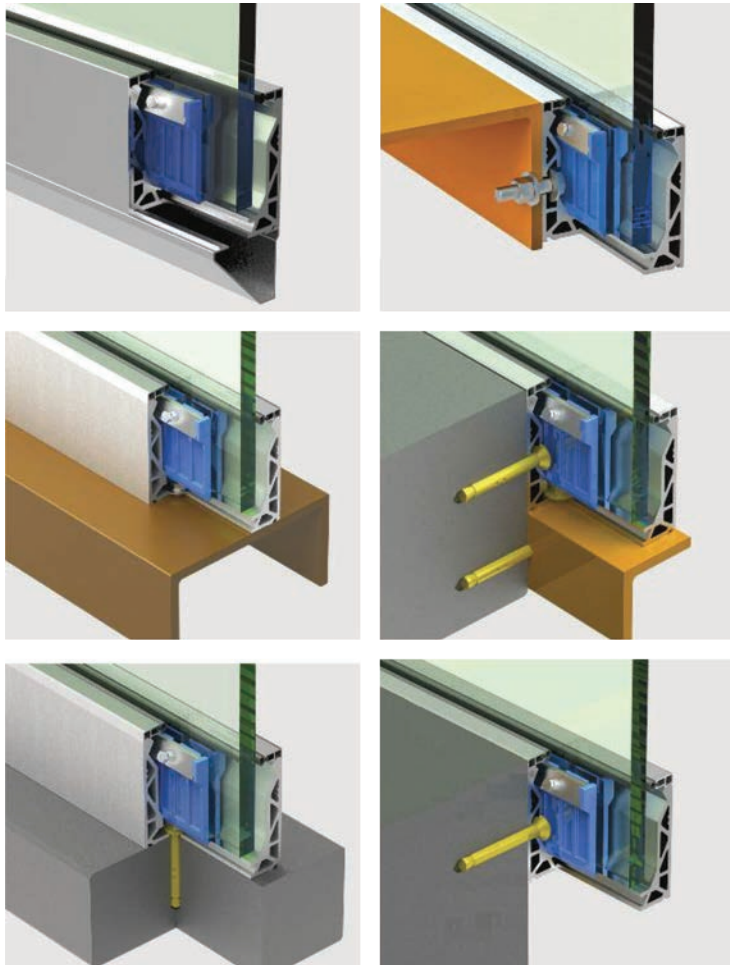
**BSI WITH 6180:2011**

Meets BSI standard 6180:2011. We've designed Posiglaze to meet BSi 6180:2011, 1.5kN loading. Visit our website for a dedicated guide to what glass thickness should be used and further fitting instructions.

Please note these are only fitting suggestions, Posiglaze should always be fitted to a suitable sub structure, if in doubt contact a qualified professional.



Our PosiGlaze channel has passed the CSTB 5 test. This was completed by our French/Italian distributor Logli Massimo under their product name DEFENDER 450



POSlone Introduction

POSlone our most technically advanced aluminium balustrade systems, benefiting you with single sided adjustment.

POSlone is able to achieve up to 1.50kN line load resistance when used with glass panels up to 1200mm high, making it a highly adaptable balustrade system suitable for use as edge protection in both domestic and commercial installations.

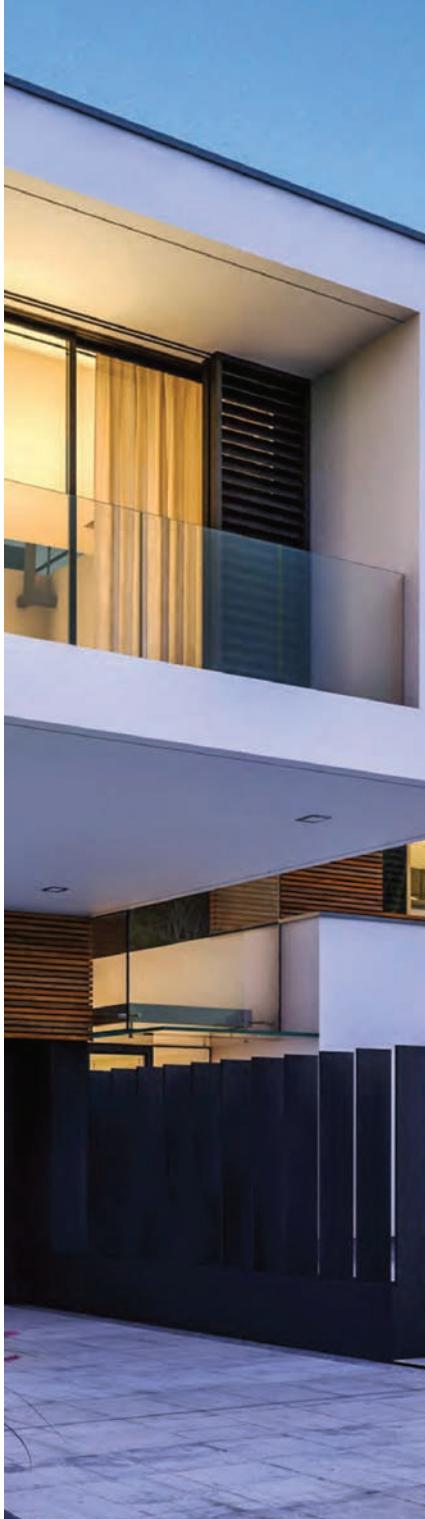
Learning from our POSIglaze product and from extensive market research, this system adjusts using an easy sliding method and utilising our patented screw-clamp technology, whereby one screw against the side of the glass clamp locks the glass into position. This combination enables up to a 20mm tilt in the glass from one side to the other. This means that when fitting the channel to an uneven surface, the angle of the channel can be countered by the adjustment of the glass.

POSlone has been designed with installers in mind. This means that it is simple to change the glass at any time, if required.

The one-side-fit version of our popular balustrade systems, POSlone is compatible with a wide range of finishing accessories including 90 and 135-degree pre-fabricated corners and Balcony Seal®. The POSlone channel is available in silver brushed and black brushed Aluminium in Base-Fix and Side-Fix.



POSlone Product Details

**ONE-SIDE-FIT**

One of the most simple balustrade systems to fit and adjust thanks to its patented screw-clamp technology. One-sidefit reducing cost, safety equipment and Glass can easily be removed and replaced if required.

ACCREDITED TO 1.50KN TO BS 6180:2011

POSlone is accredited and approved by multiple organisations to verify that it meets national and international building regulations for use as edge protection, where up to 1.50kN force loading is required.

LIGHTWEIGHT AND STRONG

Precision engineered using extruded aluminum with a geometrically hollowed out core; providing an incredible strength to weight ratio. For added protection POSlone is anodised to 25 microns.

APPROPRIATE FOR DOMESTIC AND COMMERCIAL

With 0.36kN to 1.50kN force loading capability, POSlone is a domestic to commercial crossover product, making it an appropriate choice for a wide range of installations.

CAN BE USED WITH A WIDE RANGE OF GLASS TYPES

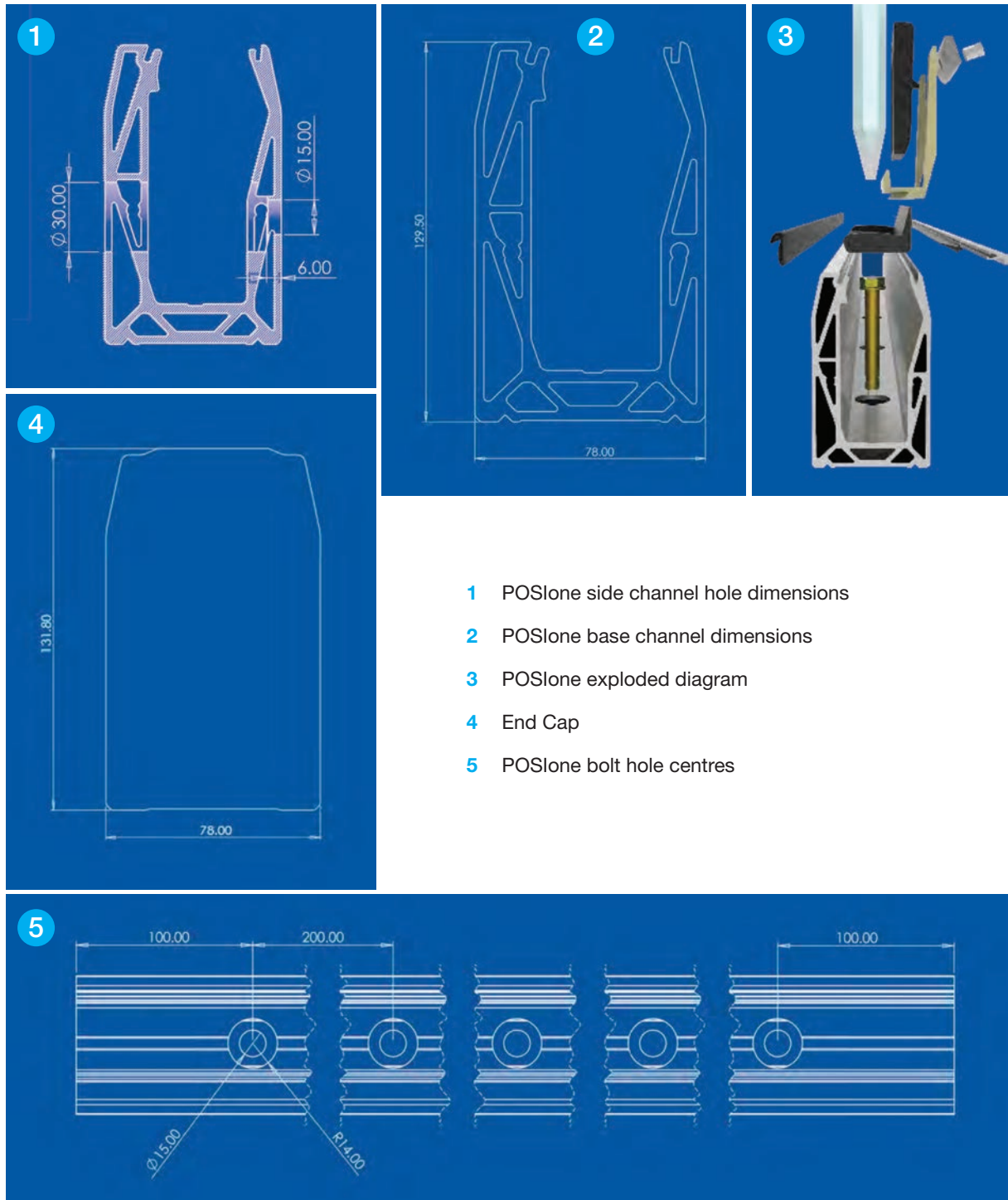
POSlone is a highly versatile product which can be used with glass thicknesses ranging from 12mm - 21.5mm, using either toughened glass, toughened laminate glass or SentryGlas.

SUITABLE FOR USE ON UNEVEN SURFACES

POSlone benefits from one-side-fit screwclamp technology that provides a 20mm adjustment angle on the glass, enabling perfect alignment of each glass panel. This adjustment capability is illustrated in the diagrams below.



POSlone Technical Drawings



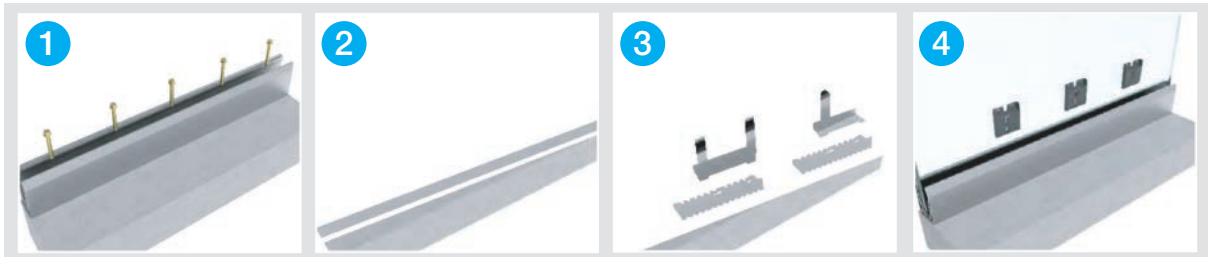
- 1 POSlone side channel hole dimensions
- 2 POSlone base channel dimensions
- 3 POSlone exploded diagram
- 4 End Cap
- 5 POSlone bolt hole centres

POSlone Installation Guide



POSlone Base Installation Guide

These step by step instructions guide you through the installation process.



1 FIT THE CHANNEL

Drill bolt holes into your substrate starting at 100mm from the first edge and then at 200mm intervals thereafter. Lay the channel on top aligning the channel holes with your drilled holes. Fix in place with an appropriate screw or bolt.

2 ADJUSTMENT BEAD

Attach the ridged adjustment bead to outer edge.

3 ISOLATOR AND SLIDER

Place the isolator and slider into the channel with the wings on the inside and the slider positioned to the right side of the isolator.

4 FIT THE GLASS

Place the glass into the channel.



5 INSERT CLAMPS

Insert one wedge tool at each end of the glass and push the clamps down until they reach the clip. Ensure the clamps are within the slider wings.

6 ADJUST THE GLASS

Manoeuvre the glass into position by hand. Next, slide the clamps to the left so the slider is tight in the required position.

7 SECURE THE GLASS

Push the clamps down into the channel.

8 BOLTS & BARS

Insert the clamp bars and bolts and tighten them against the channel by unwinding the bolt.

9 FINISH THE INSTALLATION

Add the top bead, gasket and end caps to finish the installation.

POSlone Side Installation Guide

These step by step instructions guide you through the installation process.



1 FIT THE CHANNEL

Drill bolt holes into your substrate starting at 100mm from the first edge and then at 200mm intervals thereafter. Lay the channel on top aligning the channel holes with your drilled holes. Fix in place with an appropriate screw or bolt.

2 ADJUSTMENT BEAD

Attach the ridged adjustment bead to outer edge and place the wedge spacer.

3 ISOLATOR AND SLIDER

Place the isolator and slider into the channel with the wings on the inside and the slider positioned to the right side of the isolator.

4 FIT THE GLASS

Lower the glass into the channel.



5 INSERT CLAMPS

Insert one wedge tool at each end of the glass and push the clamps down until they reach the clip. Ensure the clamps are within the slider wings.

6 ADJUST THE GLASS

Manoeuvre the glass into position by hand. Next, slide the clamps to the left so the slider is tight in the required position.

7 SECURE THE GLASS

Push the clamps down into the channel.

8 BOLTS & BARS

Insert the clamp bars and bolts and tighten them against the channel by unwinding the bolt.

9 FINISH THE INSTALLATION

Add the top bead, gasket and end caps to finish the installation.

POSlone Product Range




POSlone is compatible with BalconySeal in base mount channel.

SILVER BRUSHED
A silver brushed stainless steel effect aluminum channel with matching accessories. Available in side or base mount; the side mounted channel comes in a natural finish.

BASE MOUNT
The most popular fixing choice is a base-mounted channel, fixed to your concrete or steel substrate through drill holes in the base of the channel.



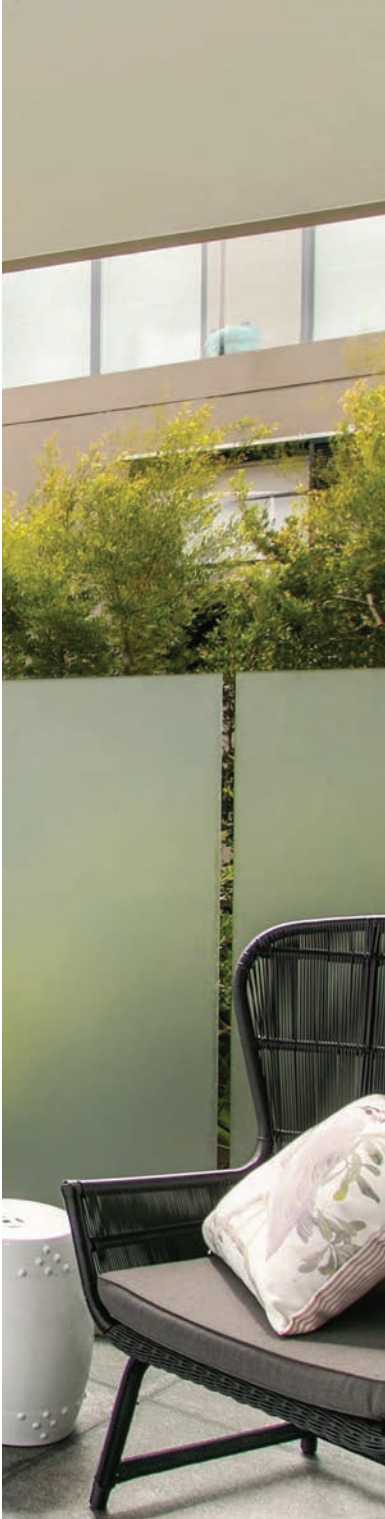

Available in both black brushed and silver brushed finishes.

COMING SOON
Side-fixed POSlone has already been developed and is going through testing.

POSlone base fix will be available in Black brushed.

POSlone base fix will also be tested for use with the Timber Fixing Plate in 2023.

POSlone Product Range



1 Balcony Seal Kit



2 Silver brushed end cap



3 Slider & isolator



4 Co-extruded gasket



5 Channel joining dowels



6 Timber Fixing Plate

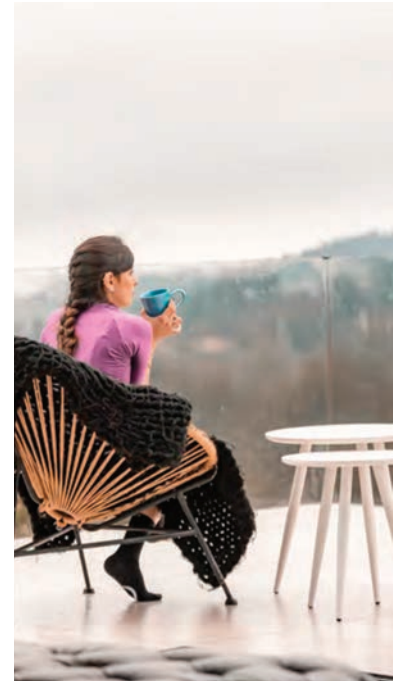


7 Drain block



8 Silver brushed insert top bead

POSlone Applications



POSlone is one-side-fit, achieving force load resistance from 0.36kN to 1.50kN, making it suitable for domestic to light commercial installations.

Since no posts or handrail are required with POSlone (depending on local building regulations), the fully installed product looks amazing and provides a completely uninterrupted view. This makes POSlone a popular choice for homeowners looking for a decking or balcony balustrade, and it is growing in popularity for indoor use around staircases and mezzanines. Other domestic applications of POSlone include garden privacy screening, partitions and balcony windbreaks.

In a light-commercial environment, such as a bar, restaurant, retail environment, offices or other venues which aren't susceptible to overcrowding, POSlone can be installed internally or externally as a room divider, defined walkway, edge protection or windbreak. The biggest benefit to this channel is the ability to install from one side making it very installer friendly.

When balustrade is needed for a public space that is susceptible to overcrowding, a heavy-commercial balustrade system is required to meet the 3.00kN loading requirement. Page 35 gives details of a product called MEGArip, which is suitable for this purpose.

MEGAgrip Introduction

MEGAgrip is Pure Vista's answer to a heavy-duty and fully adjustable 3kN commercial balustrade system, designed as a highly-durable public safety barrier for large commercial constructs.

MEGAgrip uses a variation of our popular POSIglaze screw-clamp technology to secure the glass in place. The system uses a 13mm Hex Bolt and ¼ inch torque wrench and extension arm to tighten the bolts, for a quick and simple installation. Internal glass clamps allow for easy alignment of the glass within the channel, and are compatible with a wide range of glass thicknesses, making MEGAgrip one of the most adaptable balustrade systems on the market today. It can easily be further fortified with a simple conversion kit, to become a bomb-resistant or bullet-proof balustrade system. MEGAgrip is ideal for use as a public space barrier in busy locations such as transport hubs and venues, where there is a risk of overcrowding. MEGAgrip can be either base-fixed or side-fixed.



MEGAgrip Key Benefits

FAST AND EASY TO INSTALL AND ADJUST

One of the most simple balustrade systems to fit and adjust thanks to its patented screw-clamp technology. Dry glazed where no specialist tools are required. Glass can easily be removed and replaced if required.

FULLY ACCREDITED UP TO 3.00KN

MEGAgrip is accredited and approved by multiple organisations to verify that it meets national and international building regulations for use as edge protection, where up to 3.00kN force loading is required.

LIGHTWEIGHT AND STRONG

Precision engineered using extruded aluminum with a geometrically hollowed out core, providing an incredible strength to weight ratio. For added protection MEGAgrip is anodised to 25 microns.

APPROPRIATE FOR COMMERCIAL AND ANTI-TERROR USES

With 3.00kN force loading capability, MEGAgrip is a commercially appropriate product which can be fortified using conversion kits into bomb-resistant or bullet-proof balustrade systems.

CAN BE USED WITH A WIDE RANGE OF GLASS TYPES

MEGAgrip is a highly versatile product which can be used with glass thicknesses ranging from 25mm - 33mm, using either toughened glass, toughened PVB laminate glass or SentryGlas.

GLASS IS EASY TO REMOVE AND CHANGE POST USE

MEGAgrip is as easy to assemble as it is to disassemble, making it simple to install replacement glass panels following use as a bomb-resistant or bullet-proof barrier.

MEGAgrip Applications

**PUBLIC BUILDINGS**

- Offices
- Government buildings
- Music Venues
- Sports Stadiums
- Shopping Centres

**TRANSPORT HUBS**

- Airports
- Railway Stations
- Service Stations
- Metro Stations

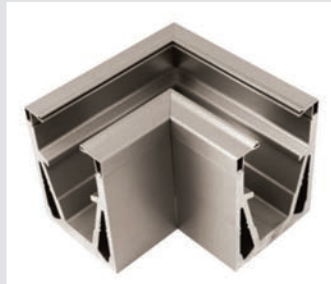
**TALL GLASS SCREENS**

- Privacy Screens
- High Rise Balconies
- Penthouses
- Restaurant Terraces
- Roof Terraces

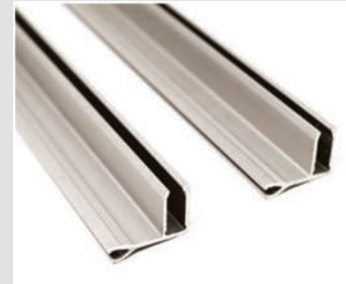
MEGAgrip Accessories

MEGAgrip benefits from a complete accessory range designed to complement your installation.

The MEGAgrip accessory range includes everything you need to complete your installation, such as end caps to create a tidy finish when your balustrade doesn't finish against a fixed point, side cladding, top bead and 90-degree pre-fabricated corners to make installing a corner extremely simple.



1 Silver brushed base fix pre-fabricated corner



2 Silver brushed knock-in end cap



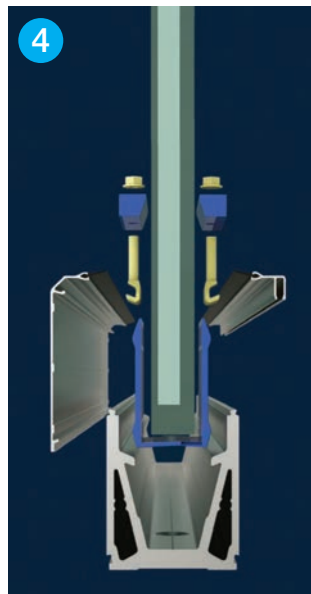
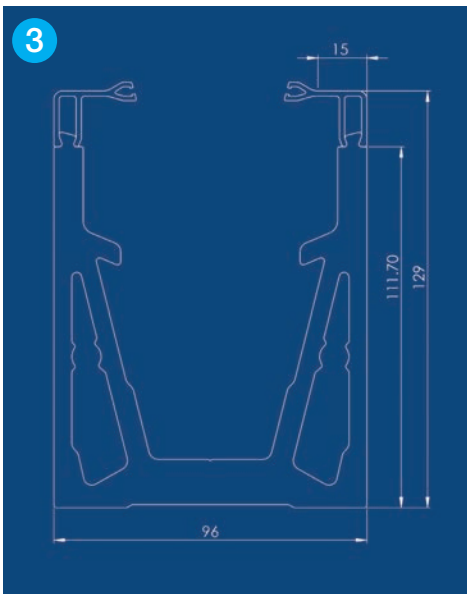
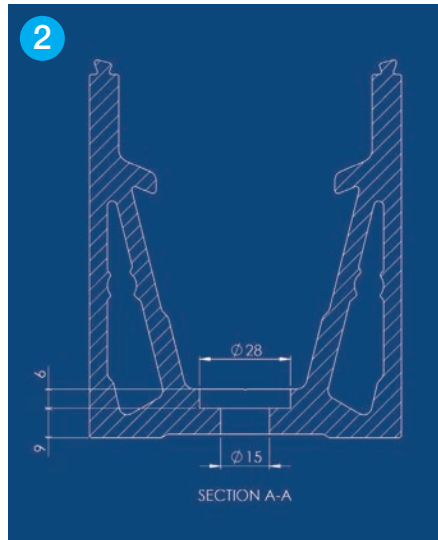
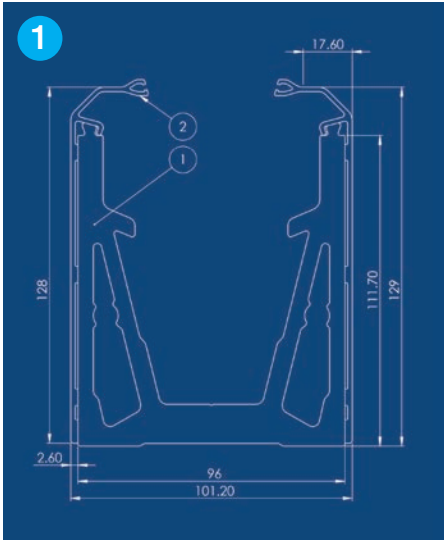
3 Silver brushed aluminum top bead



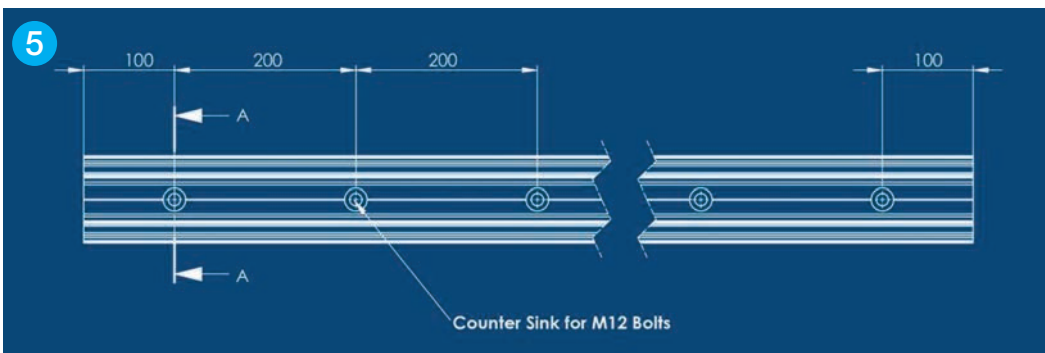
4 Silver brushed side cladding



MEGAgrip Technical Drawings

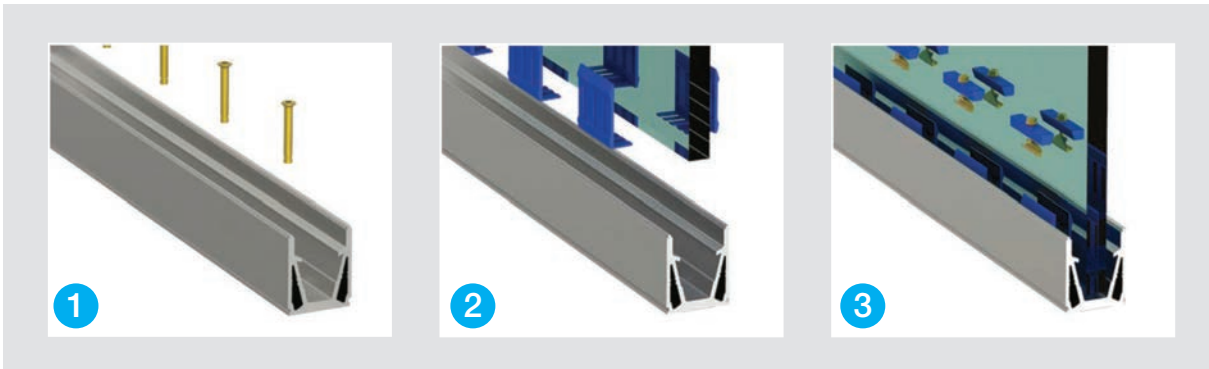


- 1 MEGAgrip channel with top bead and side cladding
- 2 MEGAgrip hole dimensions
- 3 MEGAgrip channel with top bead
- 4 MEGAgrip exploded diagram
- 5 MEGAgrip hole centres



MEGAgrip Installation Guide

MEGAgrip is one of the most simple balustrade channel systems to install and adjust with its screw-clamp technology. These step by step instructions guide you through the installation process.



FIT THE CHANNEL

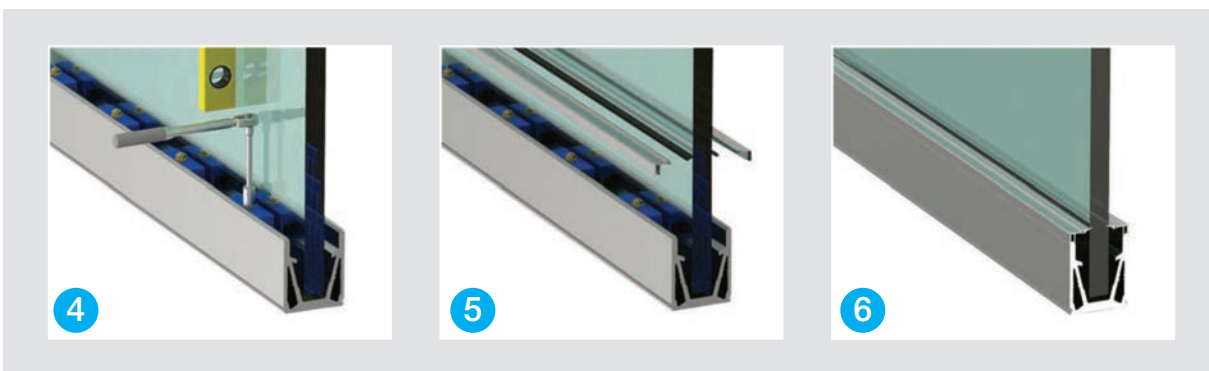
Drill bolt holes into your substrate starting at 100mm from the edge and then at 200mm intervals thereafter. Lay the channel on top aligning it with your drilled holes. Fix the channel using an appropriate bolt.

CLAMP THE GLASS

Make up the clamps by loosely slotting the left and right hand sides together. Clamp these to the bottom edge of the glass at 250mm intervals, starting at 125mm from the first side edge. Squeeze the clamps tight around the glass and place the glass into the channel.

FIT THE BARS

Assemble the MEGAhooks, nuts and bars so that the wide side of the bar is at the top next to the nut, with the MEGAhook below. Drop these, MEGAhooks down, either side of each glass clamp so that the lip on the MEGAhook hooks into the wall of the channel.



ADJUST THE GLASS

With the bolts loosely in place, the glass panel can tilt in either direction. Align the panel as required, then tighten the nuts using a torque wrench. A threadlocker can provide added security.

ADD TOP BEAD

Top bead and gasket simply slides or clips onto the top edge of the channel.

FINISH INSTALLATION

Your installation is complete!

MEGAgrip Side Fix Installation Guide

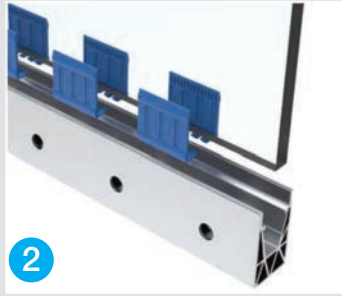
MEGAgrip is one of the most simple balustrade channel systems to install and adjust. These step by step instructions guide you through the installation process.



1

FIT THE CHANNEL

Drill bolt holes into your substrate starting at 100mm from the edge and then at 200mm intervals thereafter. Lay the channel on top aligning it with your drilled holes. Fix the channel using an appropriate bolt.



2

CLAMP THE GLASS

Make up the clamps by loosely slotting the left and right hand sides together. Clamp these to the bottom edge of the glass at 250mm intervals, starting at 125mm from the first side edge. Squeeze the clamps tight around the glass and place the glass into the channel.



3

FIT THE BARS

Assemble the MEGAhooks, nuts and bars so that the wide side of the bar is at the top next to the nut, with the MEGAhook below. Drop these, MEGAhooks down, either side of each glass clamp so that the lip on the MEGAhook hooks into the wall of the channel.



4

ADJUST THE GLASS

With the bolts loosely in place, the glass panel can tilt in either direction. Align the panel as required, then tighten the nuts using a torque wrench. A threadlocker can provide added security.



5

ADD TOP BEAD

Top bead, cladding and gasket simply slides or clips onto the top edge of the channel.

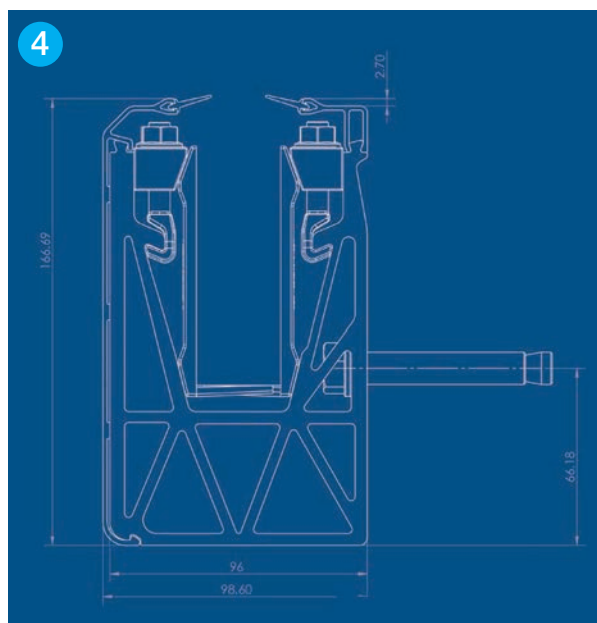
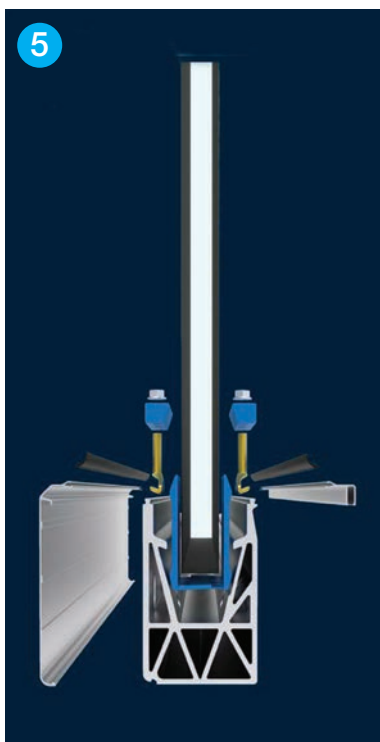
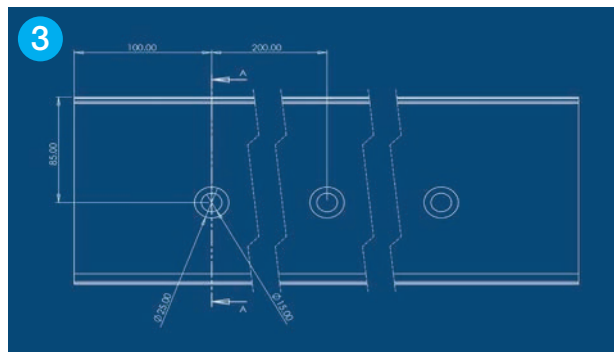
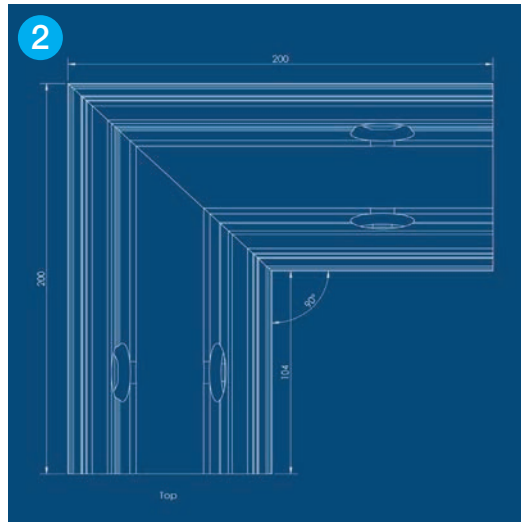
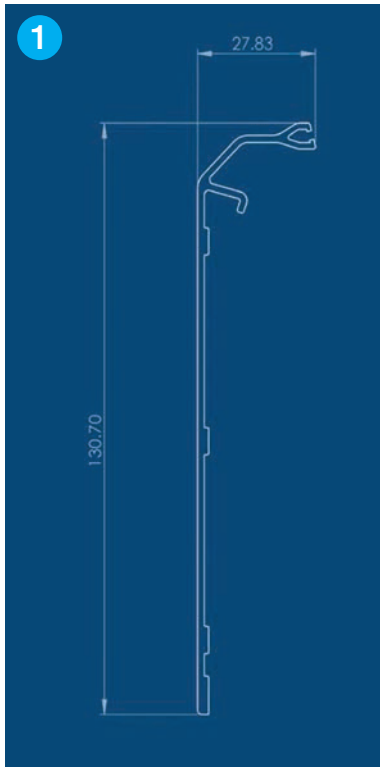


6

FINISH INSTALLATION

Your installation is complete!

MEGAgrip Side Fix Technical Drawings



- 1 MEGAgrip side cladding
- 2 MEGAgrip side 90° corner
- 3 MEGAgrip side hole centres
- 4 MEGAgrip side channel with cladding, top bead, gasket and bolt
- 5 MEGAgrip side exploded diagram

MEGAgrip Accreditations

The table below shows the line loading MEGAgrip Side Fix is certified to achieve.

These tests have been conducted in accordance with BS6180:2011 to certify that MEGAgrip side fix meets the force loading requirement under British standards for a range of glass height and thickness configurations. The logos indicate other standard bodies who have certified that MEGAgrip side fix meets building regulations in their regions or countries.



Glass Type		25.5mm Toughened PVB		25.5mm SentryGlas					31.5mm Toughened PVB	
		1100	1200	1100	1200	1500	1700	1900	1100	1800
1.50kN Line Load	STEEL	✓	✓	✓	✓	✓	✓	✓		
	CONCRETE	✓	✓	✓	✓	✓	✓		✓	✓
3.00kN Line Load	STEEL	✓		✓	✓					
	CONCRETE	✓		✓					✓	

Model 6020 | 6021 1.5KN Top and Side Mount

**DESCRIPTION**

- Quick and simple mounting
- Different finishes
- For glass thicknesses between 12 - 21,52 mm
- Drainage holes
- Increased stability with the same looks
- For applications requiring 0.74Kn the mounting distance can be 600mm
- Private, commercial and public areas

TL-6020 1.5 kN Top Mount

LEVEL UP

The Profile TL-6020 is the intelligent onward development of the TL-6010 Profile. Here the outstanding feature consists in the increase of mounting distances, which now enables the use of the profile also on an anchor bolt without countersunk head. Therefore, mounting the product is not only faster and more cost efficient, but also statics have improved considerably.

It can be used in exterior applications, withstands a linear load of 1.5 kN and is appropriate for glass thicknesses between 12 mm and 21.52 mm.



riba
product
selector

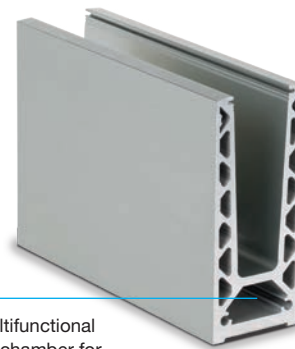
CAD IN EVERY
FORMAT



TESTED
according to
BS6180

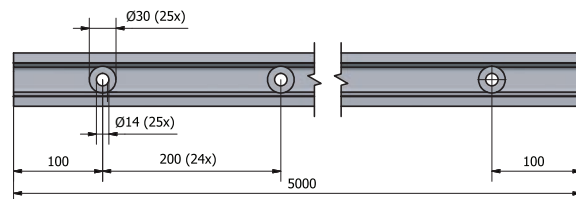
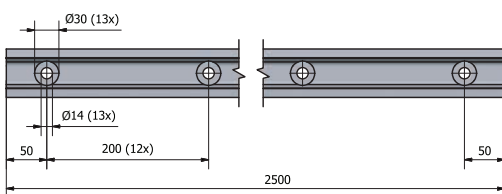
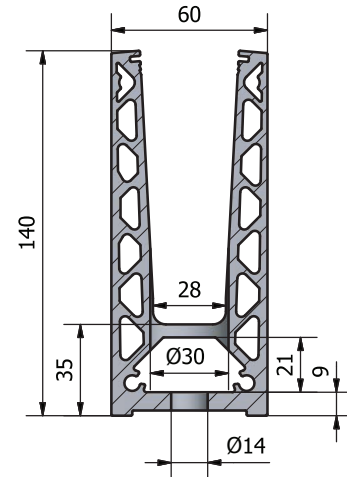
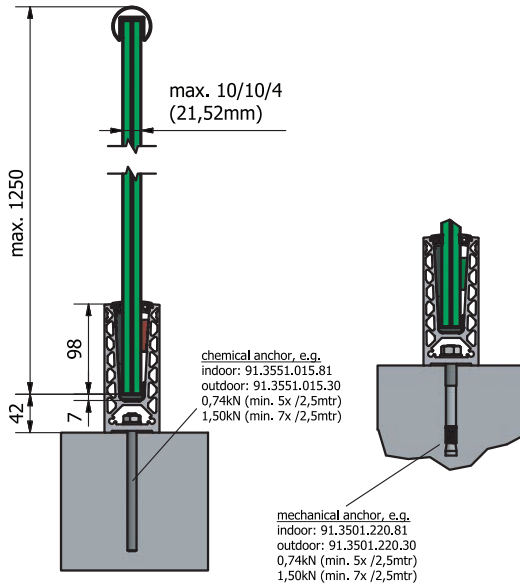
ESSENTIAL FEATURES

- Slimline, elegant design and low-maintenance
- ONLEVEL Flex-Fit Glass Adjustment Tool
- Extension pin holes
- Drainage holes
- For use with Top Cover 3.0 kN
- For glass thicknesses between 12 - 21.52 mm
- For applications of 0.74kN in private areas, the mounting distance amounts to 60 cm



Increased
stability with the
same looks

Integrated multifunctional
sophisticated chamber for
enabling larger drilling distances



TL-6020 Glass Profile



TECHNICAL DETAILS

- Height: 140 mm
- Width: 60 mm
- Sales unit: 1 piece

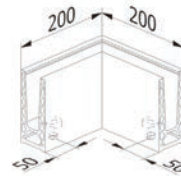
Model 6020	Mill Finish	Plain Aluminium	Stainless Steel Look	Coloured
Length	Art no.	Art no.	Art no.	Art no.
2500	–	10.6020.002.11	10.6020.002.12	–
5000	10.60.20.005.10	10.6020.005.11	10.6020.005.12	10.6020.005.13/16

TL-6020 Inside Corner / Outside Corner 90°



TECHNICAL DETAILS

- Side length inside 140 mm
- Side length outside 200 mm
- Sales unit: 1 piece



Model 6020	Mill Finish	Plain Aluminium	Stainless Steel Look	Coloured
	Art no.	Art no.	Art no.	Art no.
	10.6020.390.10	10.6020.390.11	0.6020.390.12	10.6020.390.13/16

TL-6020 End Cap, Left/Right

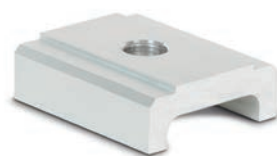


TECHNICAL DETAILS

- For use on the left and right
- Sales unit: 1 piece

Model 6020	Mill Finish	Plain Aluminium	Stainless Steel Look	Coloured
Application	Art no.	Art no.	Art no.	Art no.
Left/Right	10.6020.490.10	0.6020.490.11	10.6020.490.12	10.6020.490.13/16

TL-6020 Spacer



You do not have any drainage options on your balcony?!
So that you do not need to install a dam on your balcony, you can simply mount the spacers beneath your profile.

TECHNICAL DETAILS

- Inner drill hole Ø 14 mm
- Sales unit: 1 piece

Model 6020	Mill Finish	Plain Aluminium	Stainless Steel Look	Coloured
	Art no.	Art no.	Art no.	Art no.
	10.6020.500.10	10.6020.500.11	10.6020.500.12	10.6020.500.13/16

TL-6020 Extension pin



TECHNICAL DETAILS

- Length 40 mm
- Diameter Ø 6 mm
- Sales unit: 8 piece

Model 3511	V4A (interior & exterior)
	Art no.
	90.7001.640.31

TL-6020 Fischer fixing anchor FIS AM M10x150



TECHNICAL DETAILS

- Finish interior application: zinc-plated steel (interior)
- Finish exterior application: V4A (exterior)
- Required number per 2500 mm: 13 pieces
- Sales unit: 25 pieces

Model 3511	Zinc-plated steel (interior)	V4A (exterior)
	Art no.	Art no.
	91.3551.015.81	91.3551.015.30



TL-6020 Fixing anchor steel



TECHNICAL DETAILS

- Finish interior application: zinc-plated steel (interior)
- Finish exterior application: V4A (exterior)
- Required number per 2500 mm: 13 pieces
- Sales unit: 13 pieces

Model 6020	Zinc-plated steel (interior)	V4A (exterior)
	Art no.	Art no.
	91.6020.060.81	91.6020.060.30

TL-6020 Flex-Fit 1.0 kN

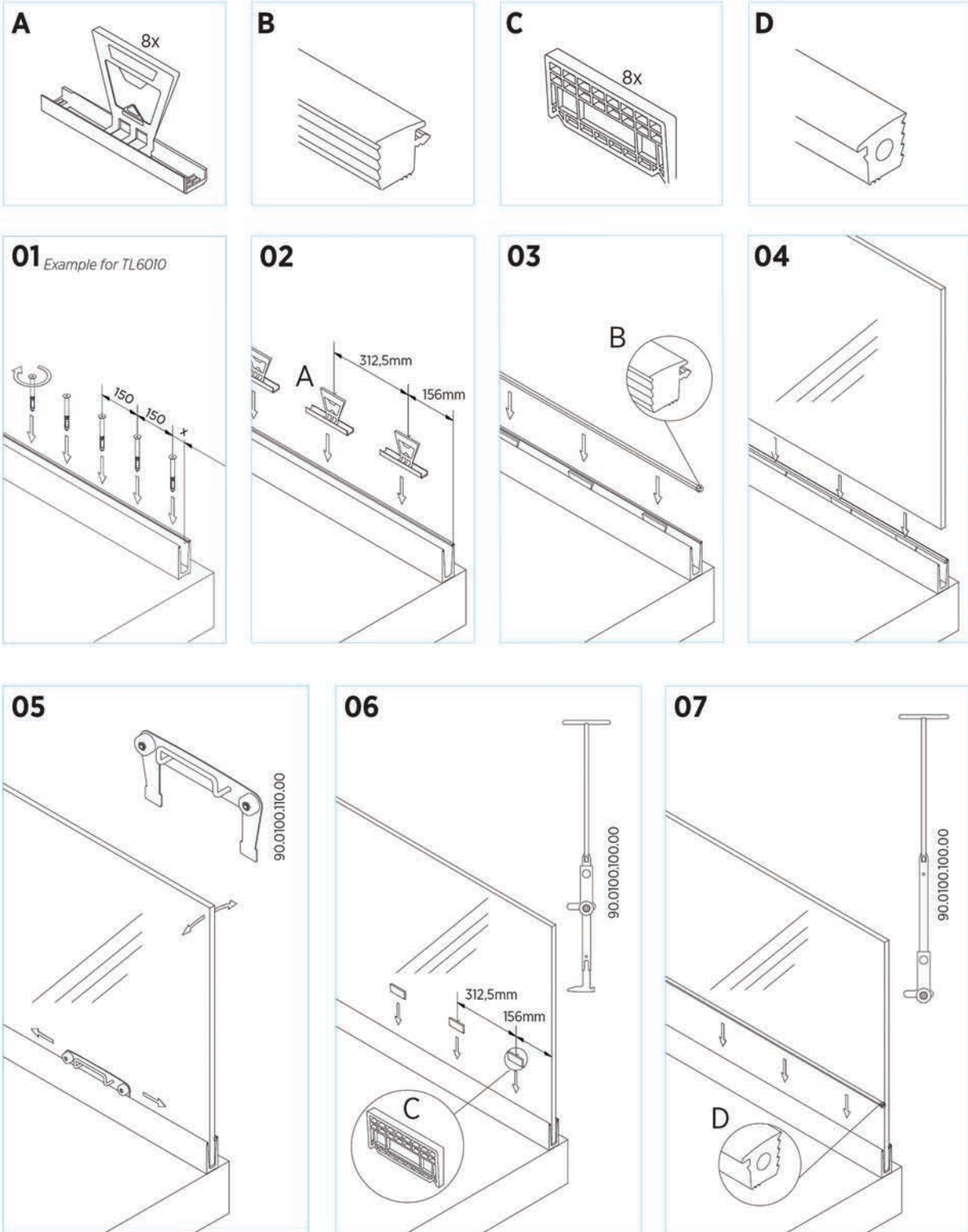


TECHNICAL DETAILS

- Fine adjustment of glass panes
- For glass thicknesses between 12 - 21.52 mm
- Adjustment of up to 34 mm in relation to the vertical axis
- Pay attention to the right glass thickness!

Length		2500 mm	5000 mm	25 mtr
Glass thickness	Wedge colour	Art no.	Art no.	Art no.
12 mm	Black	90.0502.112.00	90.0505.112.00	90.0525.112.00
6/6/2 (12.76 mm)	Red	90.0502.113.00	90.0505.113.00	90.0525.113.00
6/6/4 (13.52 mm)	Grey	90.0502.114.00	90.0505.114.00	90.0525.114.00
15 mm	Yellow	90.0502.115.00	90.0505.115.00	90.0525.115.00
8/8/2 (16,76 mm)	Brown	90.0502.117.00	90.0505.117.00	90.0525.117.00
8/8/4 (17,52 mm)	Green	90.0502.118.00	90.0505.118.00	90.0525.118.00
19 mm	Blue	90.0502.119.00	90.0505.119.00	90.0525.119.00
10/10/2 (20,76 mm)	Red	90.0502.121.00	90.0505.121.00	90.0525.121.00
10/10/4 (21,52 mm)	Green	90.0502.122.00	90.0505.122.00	90.0525.122.00

Mounting Instruction FLEXFIT



TL-6021 1.5 kN Side Mount

THE EVOLUTION GOES ON

The Profile TL-6021 is the intelligent onward development of the TL-6011 Profile. Here the outstanding feature consists in the increase of mounting distances, which now enables the use of the profile also on an anchor bolt without countersunk head. This makes mounting the product not only much quicker and more cost efficient, also statics have improved significantly.

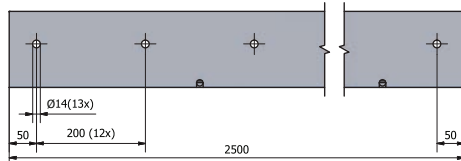
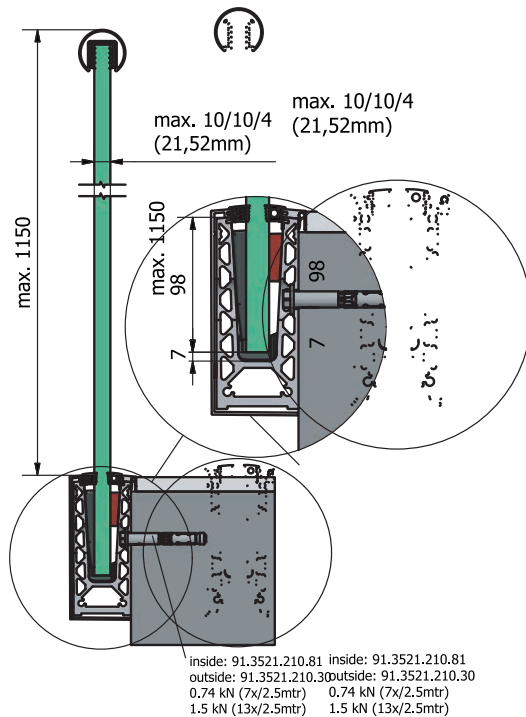
The Profile TL-6021 can be used for exterior applications. It can withstand a linear load of 1.5 kN and is appropriate for glass thicknesses between 12 mm and 21.52 mm.



CAD IN EVERY FORMAT



TESTED according to BS6180

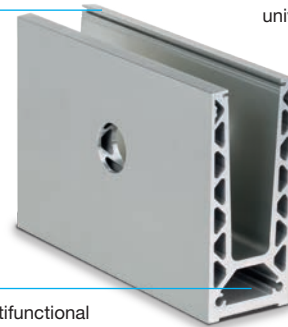


ESSENTIAL FEATURES

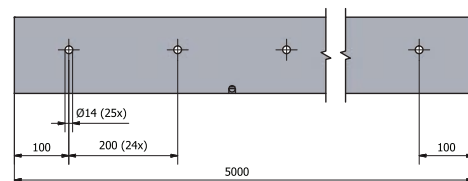
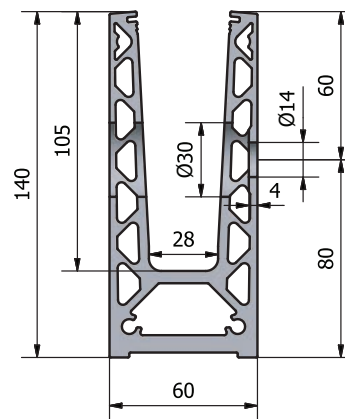
- Slimline, elegant design and low-maintenance
- ONLEVEL Flex-Fit Glass Adjustment Tool
- Drainage holes
- Cover (optional)
- For use with Top Cover 3.0 kN
- For glass thicknesses between 12 mm and 21.52 mm
- For applications of 0.74kN in private areas, the mounting distance amounts to 40 cm

Improved statics

Can be anchored universally depending on the application



Integrated multifunctional sophisticated chamber for enabling larger drilling distances



TL-6021 Glass Profile



TECHNICAL DETAILS

- Height: 140 mm
- Width: 60 mm
- Sales unit: 1 piece

Model 6021	Mill Finish	Plain Aluminium	Stainless Steel Look	Coloured
Length	Art no.	Art no.	Art no.	Art no.
2500	–	10.6021.002.11	10.6021.002.12	–
5000	10.6021.005.10	10.6021.005.11	10.6021.005.12	10.6021.005.13/16

TL-6021 Inside Corner 90°



TECHNICAL DETAILS

- Side length inside 140 mm
- Side length outside 200 mm
- Sales unit: 1 piece

Model 6021	Mill Finish	Plain Aluminium	Stainless Steel Look	Coloured
	Art no.	Art no.	Art no.	Art no.
	10.6021.300.10	10.6021.300.11	10.6021.300.12	10.6021.300.13/16

TL-6021 Outside Corner 90°



TECHNICAL DETAILS

- Side length inside 140 mm
- Side length outside 200 mm
- Sales unit: 1 piece

Model 6021	Mill Finish	Plain Aluminium	Stainless Steel Look	Coloured
	Art no.	Art no.	Art no.	Art no.
	10.6021.350.10	10.6021.350.11	10.6021.350.12	10.6021.350.13/16

TL-6021 End Cap, Left



TECHNICAL DETAILS

- For use on the left
- Sales unit: 1 piece

Model 6021	Mill Finish	Plain Aluminium	Stainless Steel Look	Coloured
Application	Art no.	Art no.	Art no.	Art no.
Left	10.6021.400.10	10.6021.400.11	10.6021.400.12	10.6021.400.13/16

TL-6021 End Cap, Left, with Cover Cap



TECHNICAL DETAILS

- For use on the left
- Sales unit: 1 piece

Model 6021	Mill Finish	Plain Aluminium	Stainless Steel Look	Coloured
Application	Art no.	Art no.	Art no.	Art no.
Left	10.6021.410.10	10.6021.410.11	10.6021.410.12	10.6021.410.13/16

TL-6021 End Cap, Right



TECHNICAL DETAILS

- For use on the right
- Sales unit: 1 piece

Model 6021	Mill Finish	Plain Aluminium	Stainless Steel Look	Coloured
Application	Art no.	Art no.	Art no.	Art no.
Right	10.6021.450.10	10.6021.450.11	10.6021.450.12	10.6021.450.13/16

TL-6021 End Cap, Right, with Cover Cap



TECHNICAL DETAILS

- For use on the right
- Sales unit: 1 piece

Model 6021	Mill Finish	Plain Aluminium	Stainless Steel Look	Coloured
Application	Art no.	Art no.	Art no.	Art no.
Right	10.6021.460.10	10.6021.460.11	10.6021.460.12	10.6021.460.13/16

TL-6021 End Cap for Staircase with Cover Strip, Left



TECHNICAL DETAILS

- For use on the left
- Can be cut to size
- Sales unit: 1 piece

Model 6021	Mill Finish	Plain Aluminium	Stainless Steel Look	Coloured
Application	Art no.	Art no.	Art no.	Art no.
Left	10.6021.411.10	10.6021.411.11	10.6021.411.12	10.6021.411.13/16

TL-6021 End Cap for Staircase with Cover Strip, Right



TECHNICAL DETAILS

- For use on the right
- Can be cut to size
- Sales unit: 1 piece

Model 6021	Mill Finish	Plain Aluminium	Stainless Steel Look	Coloured
Application	Art no.	Art no.	Art no.	Art no.
Right	10.6021.461.10	10.6021.461.11	10.6021.461.12	10.6021.461.13/16

TL-6021 Cover Strip



TECHNICAL DETAILS

- With mounting strips
- For use with a cover cap, end caps must be ordered separately
- Sales unit: 1 piece

Model 6021	Mill Finish	Plain Aluminium	Stainless Steel Look	Coloured
Length	Art no.	Art no.	Art no.	Art no.
2500	–	10.6021.202.11	–	–
5000	10.6021.205.10	10.6021.205.11	10.6021.205.12	10.6021.205.13/16

TL-6021 Blanking Plug



TECHNICAL DETAILS

- Required number per 2500 mm: 17 pieces
- Sales unit: 10 pieces

Model 7000		Plastic
Colour	Diameter	Art no.
White	30 mm	90.7000.030.40
Black	30 mm	90.7000.030.41
Grey	30 mm	90.7000.030.45

TL-6021 Extension Pin



TECHNICAL DETAILS

- Length 40 mm
- Diameter Ø 6 mm
- Sales unit: 8 piece

Model 7001	V4A (interior & exterior)
	Art no.
	90.7001.640.31

TL-6021 Fischer Fixing Anchor FH II 12/10



TECHNICAL DETAILS

- Finish interior application: zinc-plated steel (interior)
- Finish exterior application: V4A (exterior)
- Required number per 2500 mm: 13 pieces
- Sales unit: 50 pieces

Model 3521	Zinc-plated steel (interior)	V4A (exterior)
	Art no.	Art no.
	91.3521.210.81	91.3521.210.30

TL-6021 Fixing Anchor Steel



TECHNICAL DETAILS

- Finish interior application: zinc-plated steel (interior)
- Finish exterior application: V4A (exterior)
- Required number per 2500 mm: 13 pieces
- Sales unit: 13 pieces

Model 6021	Zinc-plated steel (interior)	V4A (exterior)
	Art no.	Art no.
	91.6021.060.81	91.6021.060.30

TL-6021 Befestigungsanker Rampa Holz



TECHNICAL DETAILS

- Finish interior application: zinc-plated steel (interior)
- Required number per 2500 mm: 13 pieces
- Sales unit: 13 pieces

Model 3011	Zinc-plated steel (interior)
	Art no.
	91.6021.800.81

TL-6021 Flex-Fit 1.0 kN



TECHNICAL DETAILS

- Fine adjustment of glass panes
- For glass thicknesses between 12 - 21.52 mm
- Adjustment of up to 34 mm in relation to the vertical axis
- Pay attention to the right glass thickness!

Length		2500 mm	5000 mm	25 mtr
Glass thickness	Wedge colour	Art no.	Art no.	Art no.
12 mm	Black	90.0502.112.00	90.0505.112.00	90.0525.112.00
6/6/2 (12.76 mm)	Red	90.0502.113.00	90.0505.113.00	90.0525.113.00
6/6/4 (13.52 mm)	Grey	90.0502.114.00	90.0505.114.00	90.0525.114.00
15 mm	Yellow	90.0502.115.00	90.0505.115.00	90.0525.115.00
8/8/2 (16,76 mm)	Brown	90.0502.117.00	90.0505.117.00	90.0525.117.00
8/8/4 (17,52 mm)	Green	90.0502.118.00	90.0505.118.00	90.0525.118.00
19 mm	Blue	90.0502.119.00	90.0505.119.00	90.0525.119.00
10/10/2 (20,76 mm)	Red	90.0502.121.00	90.0505.121.00	90.0525.121.00
10/10/4 (21,52 mm)	Green	90.0502.122.00	90.0505.122.00	90.0525.122.00



DRAINAGE – BUT NOT A RAIN GUTTER.

If water and cold combine, this can lead to problems when using all-glass balustrades. For this purpose, all ONLEVEL glass support profiles are equipped with drainage holes with a distance of 1000 mm between each of them. And we wouldn't be ONLEVEL, if we hadn't thought of all sorts of situations. Depending on the season, the balustrade can be subject to the most different influences (e.g.: leaves, sand, dirt).

We offer the only profile of this kind on the market.

ONLEVEL has paid special attention to ensure that the pivot point of the glass is on the same level as the rubber seals – therefore the rubber seals are never directly subjected to an increased or decreased load. As a result, dirt affects the balustrade much less.

